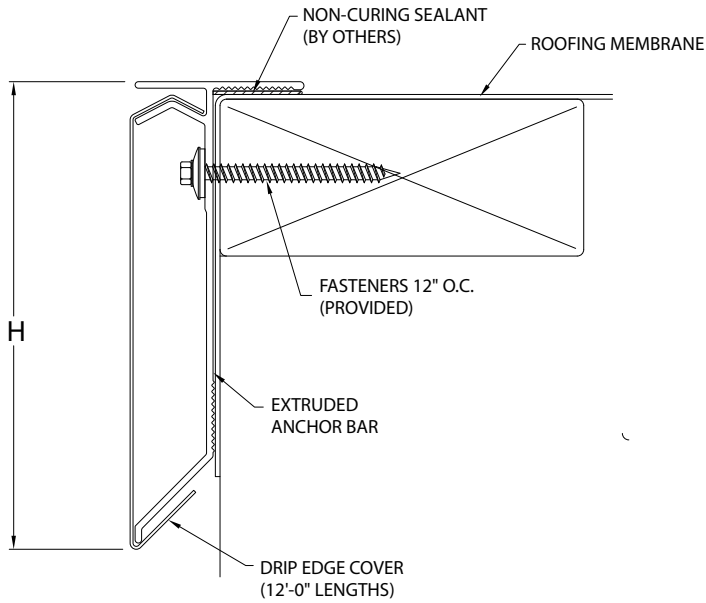


## TERMINEDGE DRIP EDGE EX

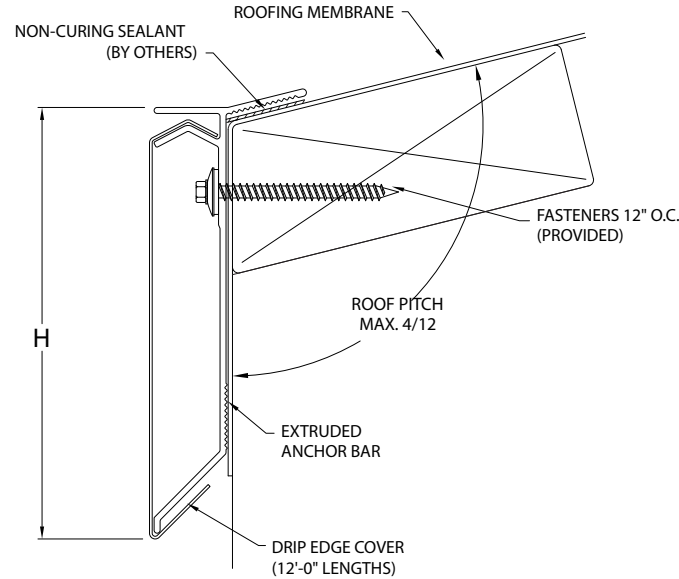
### NOTES

- Fascia cover provided with lap joints
- For non-90 miters, see separate print approval
- Product should be installed per provided installation instructions
- ANSI/SPRI/FM 4435/ES-1 Test Pressure up to 98 psf

### FLAT ROOF FLANGE



### PITCHED ROOF FLANGE



### APPROVALS



**ANSI/SPRI/FM 4435/ES-1**  
Test Pressures listed in notes

### PROJECT INFO

Project Name: \_\_\_\_\_

Architect: \_\_\_\_\_

Roofing Contractor: \_\_\_\_\_

#### Project Type:

By selecting this box you have verified and confirmed that dimensions, sizes, and quantities are correct. All products will be installed in strict accordance with printed instructions.

Date: \_\_\_\_\_

**Hickman Edge Systems**  
4 Commerce Way  
Arden, NC 28704  
Phone: 828-676-1700  
www.hickmanedgesystems.com

SHT# \_\_\_\_\_ of \_\_\_\_\_

DATE: **07/10/24**

DRN BY: **MM**

CKD BY: **MM**

DWG #: 64010-42506

REV: **A**

### DIMENSIONS

PRODUCT ID. NO.	H DIM	ROOF FLANGE (SELECT ONE)
ADE-30	3"	<input type="checkbox"/> FLAT      ROOF PITCH <input type="checkbox"/> PITCHED      _____ MAX. 4/12 PITCH
ADE-45	4 1/2"	
ADE-60	6"	
ADE-75	7 1/2"	

### MATERIAL

- 24 Ga. Galv. Steel      Color: \_\_\_\_\_  
 22 Ga. Galv. Steel      Finish: \_\_\_\_\_  
 .040" Aluminum
- Substrate:**     Wood  
                           Masonry  
                           Metal
- OTHER: \_\_\_\_\_  
If substrate is not given, wood fasteners will be provided.

### QUANTITIES

- \_\_\_\_\_ Lineal Feet (12'-0" Lengths)
- \_\_\_\_\_ Outside Miter (90°)
- \_\_\_\_\_ Inside Miter (90°)
- \_\_\_\_\_ Right Endcap
- \_\_\_\_\_ Left Endcap