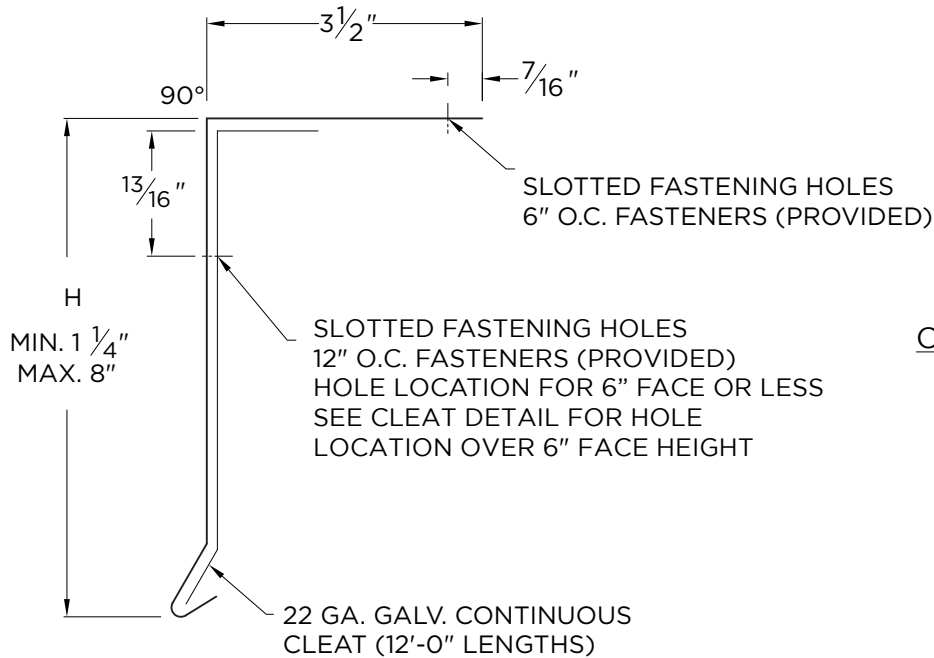




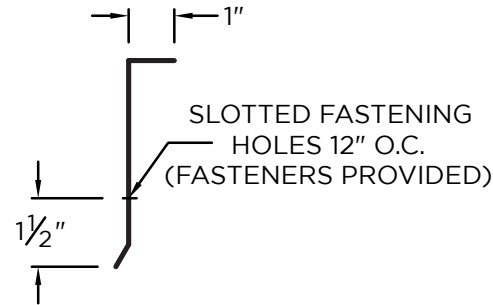
SECUREEDGE PVC COATED DRIP EDGE WITH CONTINUOUS CLEAT

NOTES

- All cleats provided in 12'-0" lengths
- All Covers provided in 10'-0" lengths
- No lap notches or splice plates provided
- For non-90 miters, see separate print approval
- Product should be installed per provided installation instructions
- ANSI/SPRI/FM 4435/ES-1 Test Pressure up to 282 psf



CLEAT DETAIL OVER 6" FACE HEIGHT



APPROVALS



ANSI/SPRI/FM 4435/ES-1
Test Pressures listed in notes

PROJECT INFO

Project Name: _____

Architect: _____

Roofing Contractor: _____

Project Type:

By selecting this box you have verified and confirmed that dimensions, sizes, and quantities are correct. All products will be installed in strict accordance with printed instructions.

SHT #: _____ of _____

63F7: **09/17/24**

DRN BY: **JJC**

CKD BY: **MM**

DWG #: 15010-23589

REV: **C**

Date: _____

Customer Service
866-458-3537
(Metal-Era)

DIMENSIONS

Choose Face Height Size (H Dimension)

- 3"
 4"
 6"
 OTHER (MIN: 1.25" MAX: 8"): _____

MATERIAL

24 ga. Galv Steel Carlisle PVC Coated

Color: White

- Substrate:** Wood
 Masonry
 Metal
If substrate is not given, wood fasteners will be provided.

QUANTITIES

_____ Lineal Feet (10'-0" Lengths)

_____ Outside Miter (90°)

_____ Inside Miter (90°)