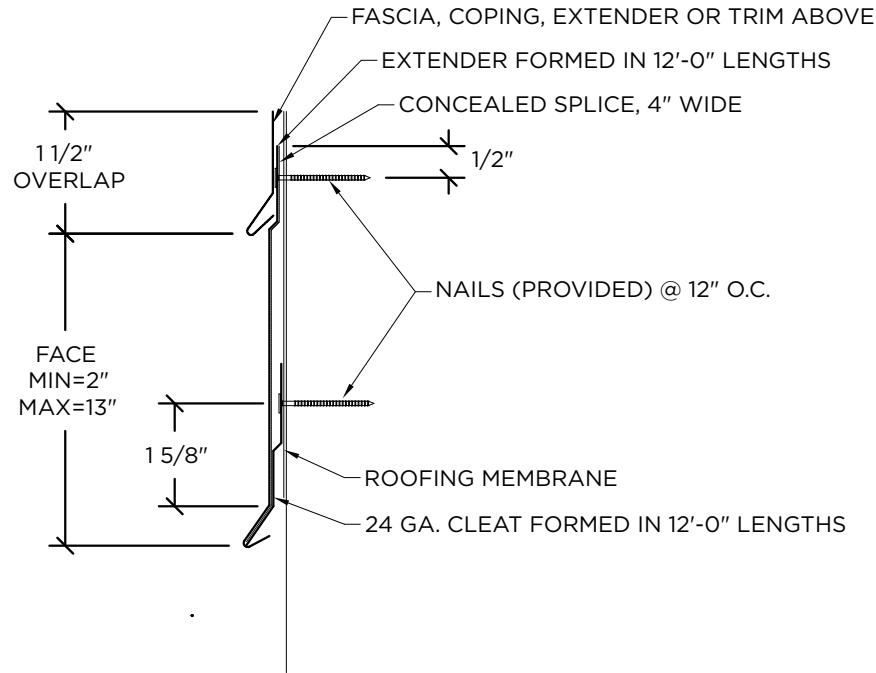


EXTENDER WITH OFFSET
FOR NON-STANDARD HEIGHT

NOTES

- Unless otherwise noted, fabrication of miters and accessories are furnished standard utilizing a non-penetrating quicklock joint, then factory sealed watertight.
- Welded accessories require a minimum material thickness of .050"
- For non-90 miters, see separate print approval
- Product should be installed per provided installation instructions
- ANSI/SPRI/FM 4435/ES-1 Test Pressure up to 107 psf



MEASUREMENT

APPROVALS



ANSI/SPRI/FM 4435/ES-1
Test Pressures listed in notes

PROJECT INFO

Project Name: _____

Architect: _____

Roofing Contractor: _____

Project Type:

By selecting this box you have verified and confirmed that dimensions, sizes, and quantities are correct. All products will be installed in strict accordance with printed instructions.

Date: _____

Hickman Edge Systems
4 Commerce Way
Arden, NC 28704
Phone: 828-676-1700
www.hickmanedgesystems.com

SHT #: 1 OF 2

DATE: 09/21/ 22

DRN BY: PL

CKD BY: MM

DWG #: 64014-36653

REV: A

DIMENSIONS

Please Fill Out Dimensions On Drawing

MATERIAL

- 24 Ga. Galv. Steel
 - 22 Ga. Galv. Steel
 - .040" Aluminum
 - .050" Aluminum
 - .063" Aluminum
 - OTHER: _____
- Color: _____
Finish: _____
- Substrate:** Wood
If substrate is not given, wood fasteners will be provided. Masonry Metal

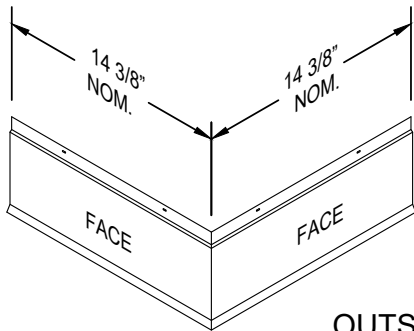
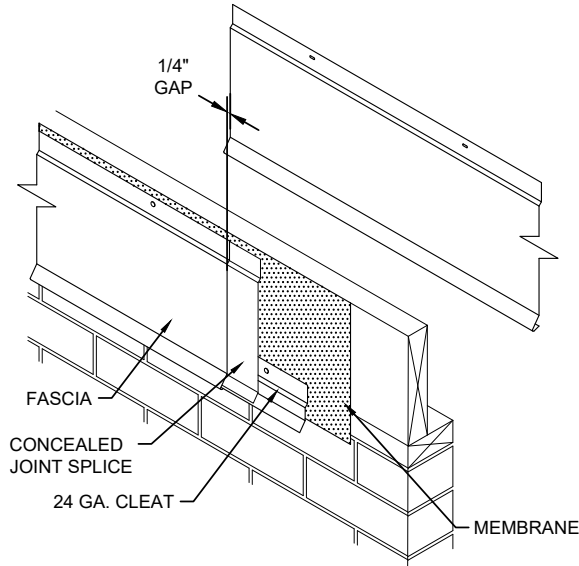
QUANTITIES

- _____ Lineal Feet (12'-0" Lengths)
 - _____ Outside Miter (90°)
 - _____ Inside Miter (90°)
 - _____ Right Endcaps
 - _____ Left Endcaps
 - _____ Right Endwall Flashing
 - _____ Left Endwall Flashing
- Accessory Type:
 Quicklock (Default)
 Welded (Surcharge)

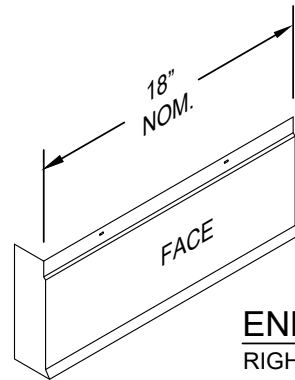
EXTENDER WITH OFFSET
STANDARD ACCESSORIES

NOTES

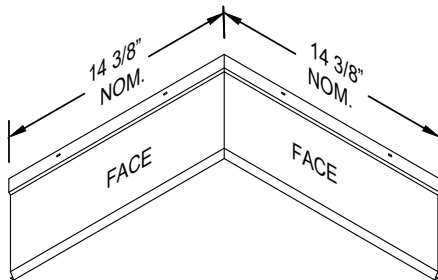
- Standard miter angle is 90 degrees
- For special miter requirements, attach sketches or consult manufacturer for assistance.



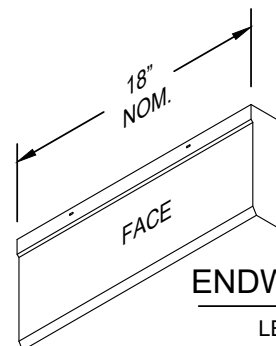
OUTSIDE MITER



ENDCAP
RIGHT HAND SHOWN



INSIDE MITER



ENDWALL FLASHING
LEFT HAND SHOWN

Hickman Edge Systems
4 Commerce Way
Arden, NC 28704
Phone: 828-676-1700
www.hickmanedgesystems.com

SHT# 2 of 2
DATE: 09/21/ 22
DRN BY: PL
CKD BY: MM
DWG #: 64014-36653
REV: A