



ELEVATE FLASH-THRU DRIP EDGE

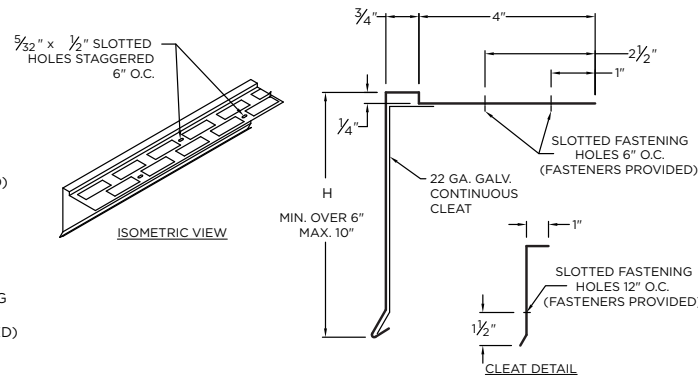
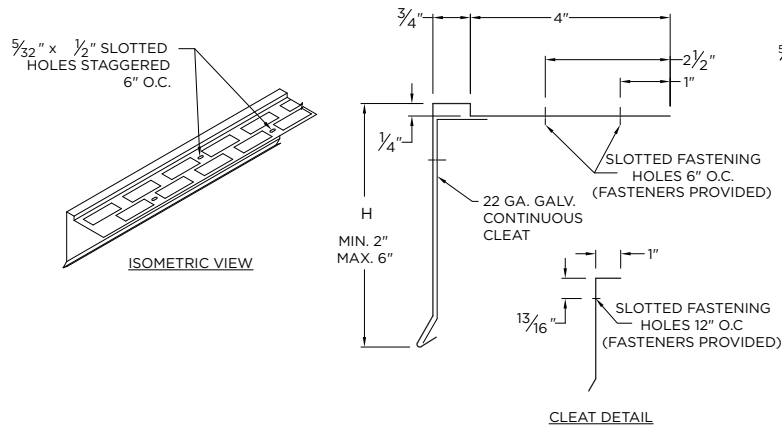
BUILT-UP OR MODIFIED VERSION

NOTES

- Includes concealed splice plates that must be field caulked to prevent water entry
- Unless otherwise noted, fabrication of miters and accessories are provided with a non-penetrating quicklock joint, then factory sealed watertight
- Welded accessories require minimum material thickness of .050"
- For non-90 miters, see separate print approval
- Product should be installed per provided installation instructions
- ANSI/SPRI/FM 4435/ES-1 Test Pressure up to 276 psf
- FM and Miami-Dade Approval (Max 6" Face)

FACE HEIGHT 6" OR LESS

FACE HEIGHT OVER 6"



APPROVALS



ANSI/SPRI/FM 4435/ES-1
Test Pressures listed in notes

DIMENSIONS

_____ (H) Face Height (inches-Max 10")

MATERIAL

- 24 Ga. Galv. Steel
- 22 Ga. Galv. Steel
- .040" Aluminum
- .050" Aluminum
- .063" Aluminum
- OTHER: _____

Color: _____

Finish: _____

Substrate: Wood

If substrate is not given, wood fasteners will be provided. Masonry

Metal

QUANTITIES

_____ Lineal Feet (12'-0" Lengths)

_____ Outside Miter (90°)

_____ Inside Miter (90°)

Accessory Type:

Quicklock (Default)

Welded (Surcharge)

PROJECT INFO

Project Name: _____

Architect: _____

Roofing Contractor: _____

Project Type:

By selecting this box you have verified and confirmed that dimensions, sizes, and quantities are correct. All products will be installed in strict accordance with printed instructions.

Date: _____

Elevate

26 Century Blvd.
Suite 205
Nashville, TN 37214
Contact your local
Elevate representative.

SHT# 1 of 1

DATE: 03/20/23

DRN BY: JJC

CKD BY: MM

DWG #: 13010-23203

REV: G