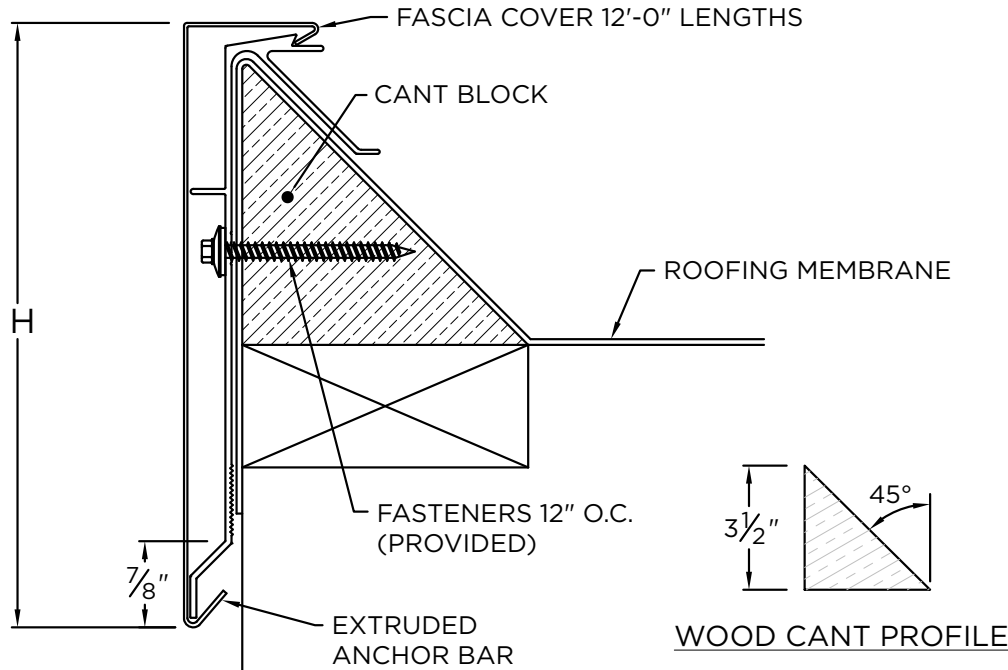


TERMINEDGE CANTED EX FASCIA
EXISTING BEVELED WOOD NAILER

NOTES

- Fascia cover provided with splice plates
- 10" cover not available in 24 ga. galv. steel or .040" aluminum
- 5.5" extruded bar varies in design at lower kick
- For non-90 miters, see separate print approval
- Product should be installed per provided installation instructions



PROJECT INFO

Project Name: _____

Architect: _____

Roofing Contractor: _____

Project Type:

By selecting this box you have verified and confirmed that dimensions, sizes, and quantities are correct. All products will be installed in strict accordance with printed instructions.

Date: _____

Hickman Edge Systems

4 Commerce Way
Arden, NC 28704
Phone: 828-676-1700
www.hickmanedgesystems.com

SHT# 1 of 1

DATE: 10/18/21

DRN BY: JJC

CKD BY: MM

DWG #: 64010-36608

REV: A

DIMENSIONS

PRODUCT ID. NO.	H DIM	X DIM	NAILER COVERAGE
<input type="checkbox"/> AEFC-550	5 1/2"	2 5/8"	1 NAILER
<input type="checkbox"/> AEFC-750	7 1/2"	4 5/8"	2 NAILERS
<input type="checkbox"/> AEFC-850	8 1/2"	5 5/8"	3 NAILERS
<input type="checkbox"/> AEFC-1000	10"	7 1/8"	4 NAILERS

MATERIAL

- 24 Ga. Galv. Steel Color: _____
- 22 Ga. Galv. Steel Finish: _____
- .040" Aluminum
- .050" Aluminum
- .063" Aluminum
- OTHER: _____
- Substrate:** Wood
If substrate is not given, wood fasteners will be provided. Masonry
 Metal

QUANTITIES

_____ Lineal Feet (12'-0" Lengths) _____ Right Endwall Flashing

_____ Outside Miter (90°) _____ Left Endwall Flashing

_____ Inside Miter (90°)

_____ Right Endcaps

_____ Left Endcaps

_____ Overflow Scupper
 Style A
 Style B

_____ Spillout Scupper
 Style A
 Style B

_____ Downspout Scupper
 Style A Style B
 Size _____ x _____
 Style A=Tapered 1.5" Drop | Style B=Flat