

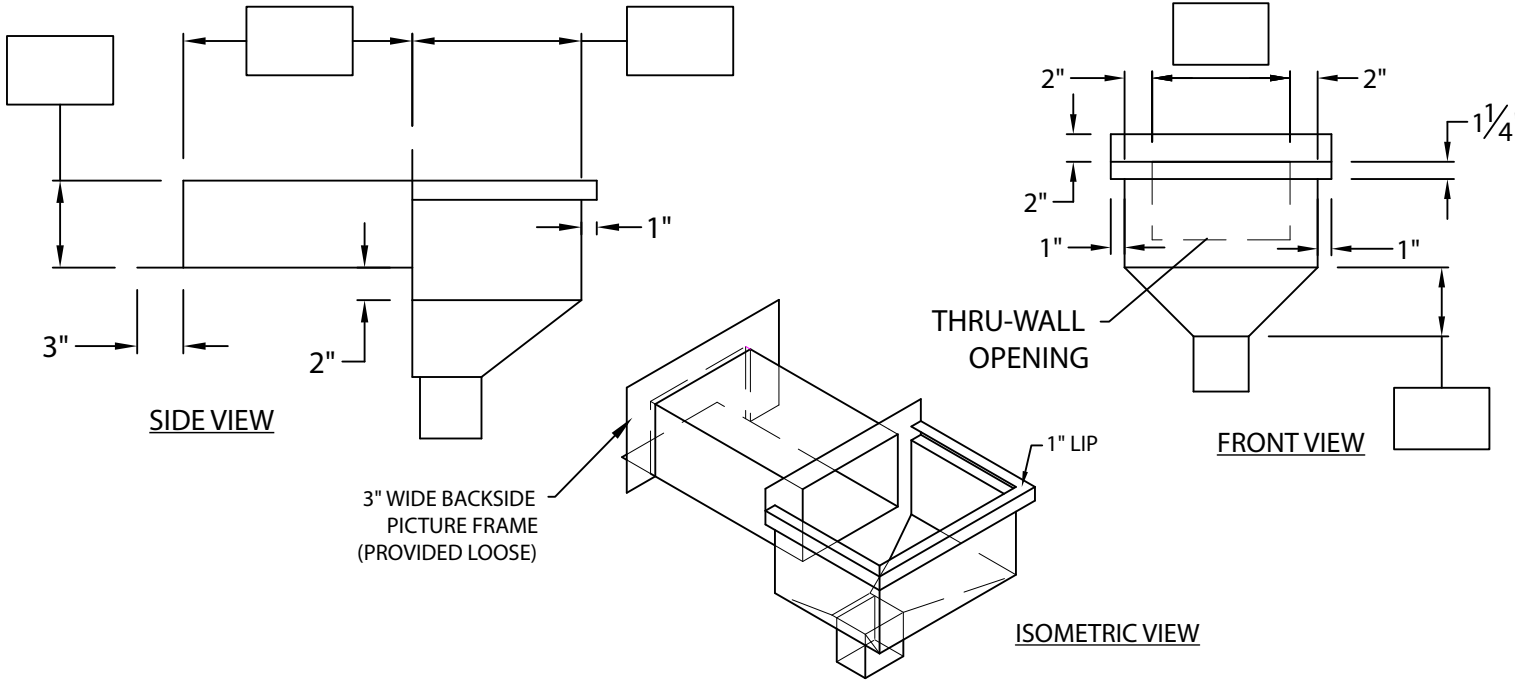


# VERSITRIM THRU-WALL SCUPPER

## STYLE 3 WELDED RAISED COLLECTOR BOX

### NOTES

- Product should be installed per provided installation instructions



### PROJECT INFO

Project Name: \_\_\_\_\_

Architect: \_\_\_\_\_

Roofing Contractor: \_\_\_\_\_

#### Project Type:

By selecting this box you have verified and confirmed that dimensions, sizes, and quantities are correct. All products will be installed in strict accordance with printed instructions.

Date: \_\_\_\_\_

Customer Service  
 800-558-2162  
 (Metal-Era)

SHT #: \_\_\_\_\_ of \_\_\_\_\_

DATE: **11/20/24**

DRN BY: **MM**

CKD BY: **MM**

DWG #: 18018-42058

REV: **C**

### DIMENSIONS

PLEASE FILL OUT DIMENSIONS ON DRAWING

### MATERIAL (BASED ON WIDTH OR HEIGHT OF BOX)

- .063" Aluminum (Up to 24")
- .080" Aluminum (Over 24" to 48")
- .100" Aluminum (Over 48" to 72")
- .125" Aluminum (Over 72")

Color: \_\_\_\_\_

Finish: \_\_\_\_\_

### QUANTITIES

\_\_\_\_\_ Amount Required

Downspout Size \_\_\_\_\_ x \_\_\_\_\_

(Quantities Over 15 Require Extended Lead Time Due to Post Coating Process)