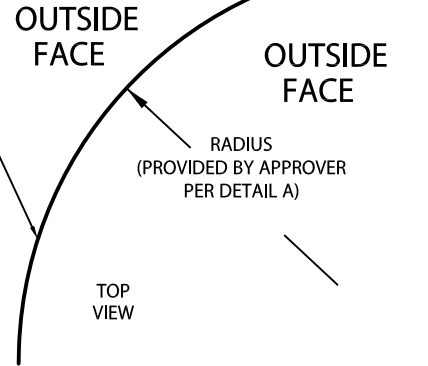




# ELEVATE ANCHORGARD<sup>®</sup> MB EXTENDED RADIUS FASCIA

BUILT-UP OR MODIFIED VERSION

**IMPORTANT!!!** MUST INDICATE PROPER RADIUS CONDITION BY CIRCLING APPROPRIATE OUTSIDE FACE



PROVIDING A RADIUS  
THE RADIUS MAY BE PROVIDED  
IN ONE OF TWO METHODS:

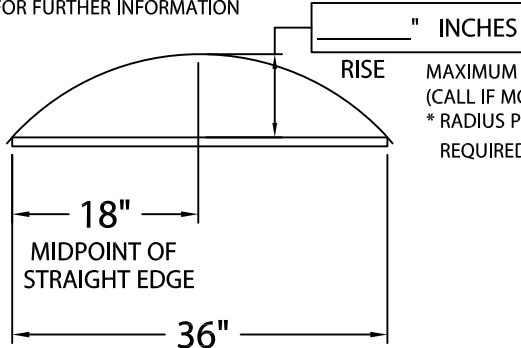
1.) THE ACTUAL KNOWN RADIUS IS

\_\_\_\_\_ ' FEET \_\_\_\_\_ " INCHES

OR

2.) FIELD CONDITION MEASUREMENTS

NOTE: REFER TO ATTACHED WORKSHEET  
FOR FURTHER INFORMATION



LENGTH OF  
STRAIGHT EDGE

NOTE: CHECK MEASUREMENTS ALONG ENTIRE RADIUS.

DETAIL A

MINIMUM OF 4'-6"  
(CALL IF LESS)  
\* RADIUS PRODUCT NOT  
REQUIRED IF OVER 200'-0"

MAXIMUM OF 3<sup>3</sup>/<sub>32</sub>"  
(CALL IF MORE)  
\* RADIUS PRODUCT NOT  
REQUIRED IF UNDER 3<sup>3</sup>/<sub>32</sub>"

FLANGE WELDED WHEN  
RADIUS IS LESS THAN  
48'-0"  
\* RADIUS EXTRUDED BAR PROVIDED  
IN 4'-0" LENGTHS IF RADIUS  
IS LESS THAN 48'-0".  
\* RADIUS EXTRUDED BAR PROVIDED  
IN 12'-0" LENGTHS IF RADIUS  
IS 48'-0" OR GREATER.

ROOF LINE

----- INDICATES AREAS THAT WILL BE SLIT AS  
NEEDED TO ACCOMODATE RADIUS

\* RADIUS FASCIA PROVIDED  
IN 4'-0" LENGTHS IF  
RADIUS IS LESS THAN  
48'-0".  
\* RADIUS FASCIA PROVIDED  
IN 12'-0" LENGTHS IF  
RADIUS IS 48'-0" OR  
GREATER.

\* RADIUS CLEAT  
PROVIDED IN 4'-0"  
LENGTHS IF RADIUS IS  
LESS THAN 48'-0".  
\* RADIUS CLEAT  
PROVIDED IN 12'-0"  
LENGTHS IF RADIUS IS  
48'-0" OR GREATER.

### FASCIA DIMENSIONS

PRODUCT ID. NO.	H DIM.	X DIM.
<input type="checkbox"/> AEFM-85	8 1/2"	7 1/4"
<input type="checkbox"/> AEFM-100	10"	8 3/4"
<input type="checkbox"/> AEFM-115	11 1/2"	10 1/4"
<input type="checkbox"/> AEFM-130	13"	11 3/4"

Fabrication will proceed only after receipt of  
signed print approval.

## Print Approval:

Architect and/or contractor shall verify all  
dimensions, sizes and quantities. All  
products to be installed in strict accordance  
with Elevate's printed instructions.

Approved by: \_\_\_\_\_

Date: \_\_\_\_\_

### MATERIAL:

\_\_\_ 22 GA. GALV. STEEL    \_\_\_ .063" ALUMINUM  
\_\_\_ .050" ALUMINUM    \_\_\_ OTHER \_\_\_\_\_  
COLOR: \_\_\_\_\_ FINISH: \_\_\_\_\_

### QUANTITIES:

\_\_\_\_\_ LINEAL FEET 12'-0" LENGTHS

PROJECT:

ARCHITECT:

ROOFING CONTRACTOR:

REPRESENTATIVE/DISTRIBUTOR:



ELEVATE  
26 CENTURY BLVD.  
SUITE 205  
NASHVILLE, TN 37214

CONTACT YOUR LOCAL ELEVATE REPRESENTATIVE

DATE: 03/13/23

DRN BY: MLM

CKD BY: MM

SHT.# \_\_\_\_\_ OF \_\_\_\_\_

DWG# 13010-1094

J