



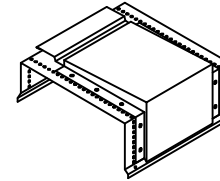
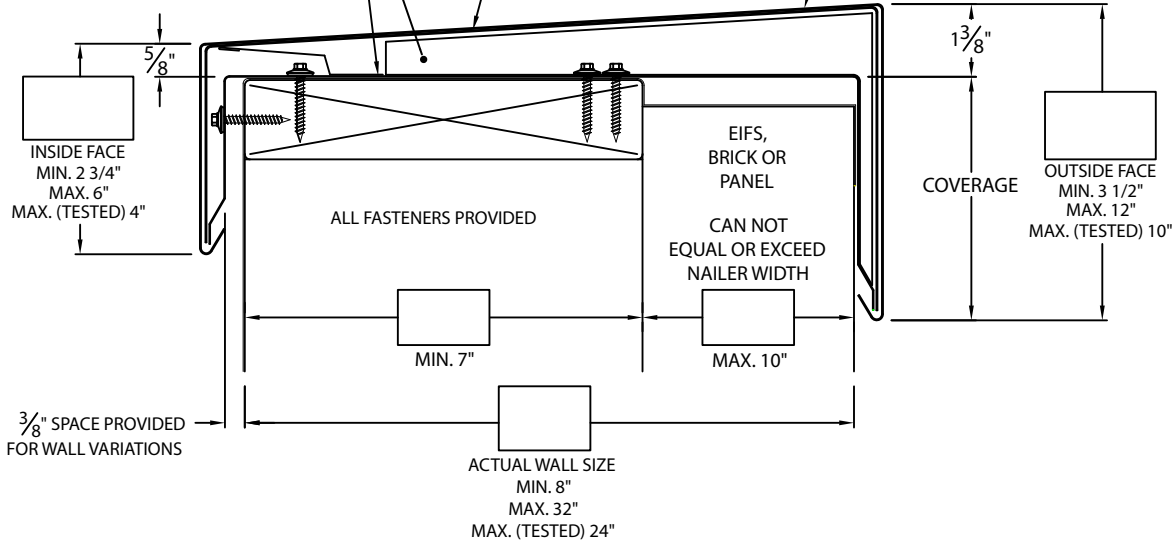
SECUREDGE 200 SINGLE CANTILEVER COPING

12" WIDE ANCHOR CLIP CONSISTS OF
20 GA. GALV. RISER
16 GA. GALV. BASE
FACTORY ASSEMBLED
SPACING DETERMINED BY MANUFACTURER

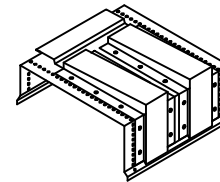
8" WIDE CONCEALED SPLICE
PLATE WITH DUAL NON-CURING
SEALANT STRIPS AT EACH JOINT

COPING COVER
(12'-0" LENGTHS)

ANCHOR CLIP DETAIL:
SINGLE SIDE SPACE OR
OUTSIDE FACE 6" OR LESS



ANCHOR CLIP DETAIL:
SINGLE SIDE SPACE OR
OUTSIDE FACE OVER 6"



* NOTES

- Oil canning can occur on larger face heights; recommend 22 ga., .050" or .063" for face height over 8"
- 24 Ga. and .040" Aluminum covers available for wall sizes 8" to 24" ONLY
- Unless otherwise noted, fabrication of miters and accessories are furnished standard utilizing a non-penetrating quicklock joint, the factory sealed watertight
- Welded accessories require a minimum material thickness of .050"
- For non-90 miters, see separate print approval
- Product should be installed per provided installation instructions
- ANSI/SPRI/FM 4435/ES-1 test pressures up to 128 psf (Horizontal) and 221 psf (Vertical)

PROJECT INFO

Project Name: _____

Architect: _____

Roofing Contractor: _____

Project Type: _____

By selecting this box you have verified and confirmed that dimensions, sizes, and quantities are correct. All products will be installed in strict accordance with printed instructions.

Date: _____

Carlisle SynTec Systems

Customer Service
866-458-3537
(Metal-Era)

SHT# 1 of 2

DATE: 06/13/23

DRN BY: JJC

CKD BY: MM

DWG #: 15011-19555

REV: D

APPROVALS*

ANSI/SPRI/FM 4435/ES-1
Test Pressures listed in notes



MIAMI-DADE COUNTY
APPROVED

MATERIAL*

- 24 Ga. Galv. Steel
- 22 Ga. Galv. Steel
- .040" Aluminum
- .050" Aluminum
- .063" Aluminum
- OTHER: _____

Color: _____

Finish: _____

Substrate:

if substrate is not given, wood fasteners will be provided.

- Wood
- Masonry
- Metal

QUANTITIES

_____ Lineal Feet (12'-0" Lengths)

_____ Outside Miter (90°)

_____ Inside Miter (90°)

_____ Right Endcaps

_____ Left Endcaps

Accessory Type* : Quicklock (Default) Welded (Surcharge)

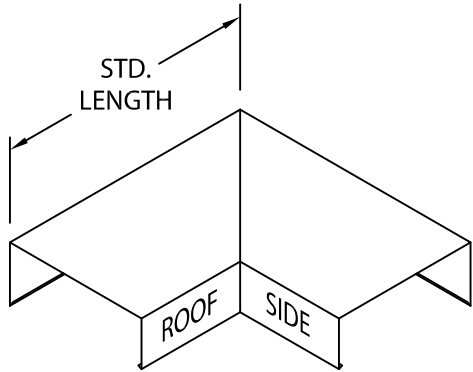
_____ Right Endwall Flashing (Coping Version)

_____ Left Endwall Flashing (Coping Version)

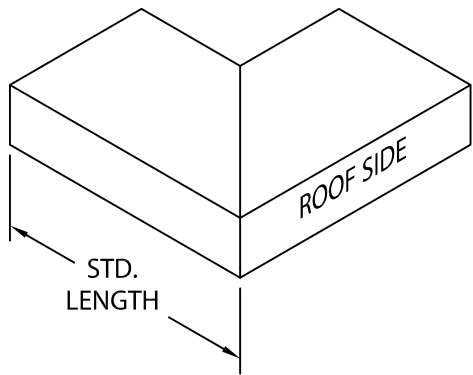
_____ Right Endwall Flashing (Splice Plate Version)

_____ Left Endwall Flashing (Splice Plate Version)

SECUREDGE 200 SINGLE CANTILEVER COPING
STANDARD ACCESSORIES

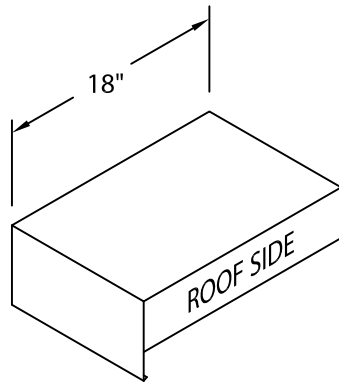


OUTSIDE MITER

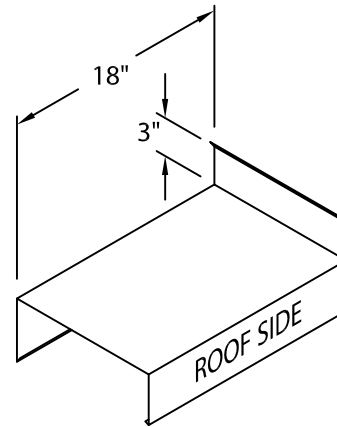


INSIDE MITER

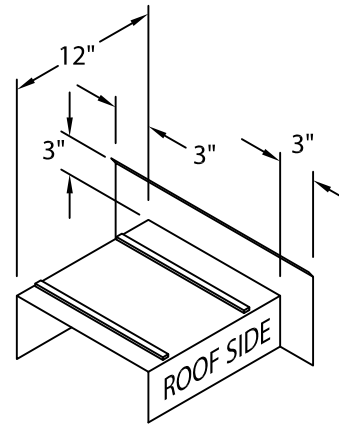
MITER STANDARD LEG LENGTH:
WALL SIZE + 10 3/8" = LENGTH



ENDCAP
(LEFT HAND SHOWN)



ENDWALL FLASHING
COPING VERSION
(RIGHT HAND SHOWN)



ENDWALL FLASHING
SPLICE PLATE VERSION
(RIGHT HAND SHOWN)
(AVAILABLE ONLY IN
.040" WELDED, PAINTED
TO MATCH COPING)

NOTES

Additional accessories are available including:

- Transition Miters
- Straight Transition Miters
- "T" Miters
- "Z" Miters
- Step-up Miters
- Peak / Valley Miters
- Pilaster Caps
- Radius Coping

For additional accessory requirements, attach sketches or call manufacturer for assistance.

SHT# 2 of 2

DATE: 06/13/23

DRN BY: JJC

CKD BY: MM

DWG #: 15011-19555

REV: D

Carlisle SynTec Systems
Customer Service
866-458-3537
(Metal-Era)