

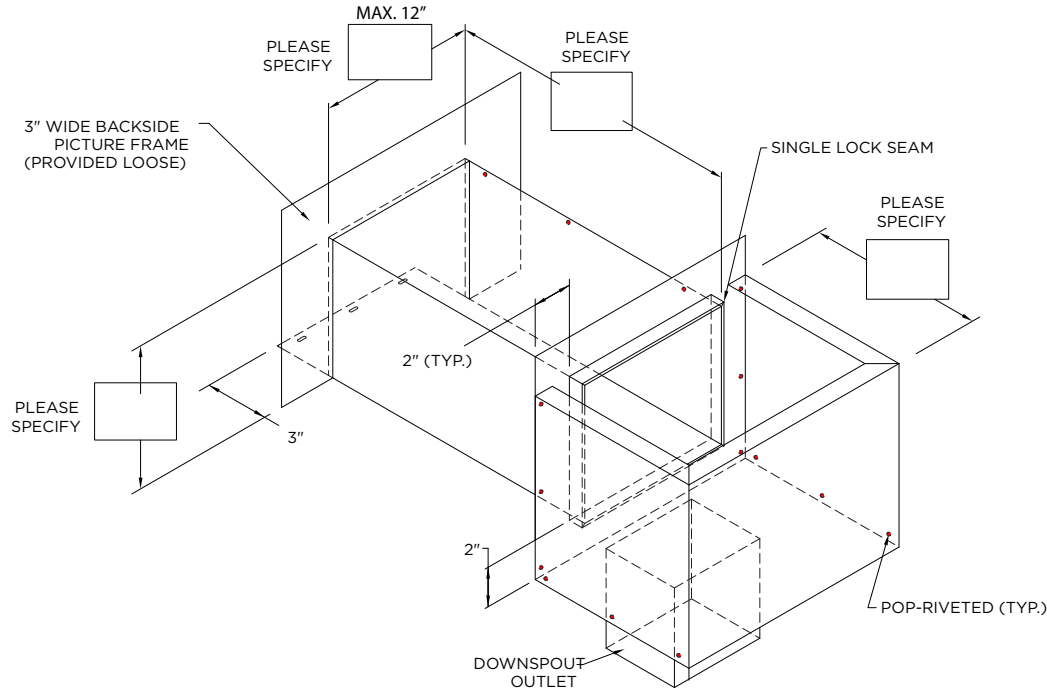


# VERSITRIM THRU-WALL SCUPPER

## STYLE 1 POP-RIVETED RAISED COLLECTOR BOX

### NOTES

- Product should be installed per provided installation instructions



### PROJECT INFO

Project Name: \_\_\_\_\_

Architect: \_\_\_\_\_

Roofing Contractor: \_\_\_\_\_

#### Project Type:

By selecting this box you have verified and confirmed that dimensions, sizes, and quantities are correct. All products will be installed in strict accordance with printed instructions.

Date: \_\_\_\_\_

Customer Service  
800-558-2162  
(Metal-Era)

SHT #: \_\_\_\_\_ of \_\_\_\_\_

DATE: **11/20/24**

DRN BY: **JJC**

CKD BY: **MM**

DWG #: 18018-42056

REV: **B**

### DIMENSIONS

PLEASE FILL OUT DIMENSIONS ON DRAWING

### MATERIAL

- 24 Ga. Galv. Steel
- 22 Ga. Galv. Steel
- .040" Aluminum
- .050" Aluminum
- OTHER: \_\_\_\_\_

Color: \_\_\_\_\_

Finish: \_\_\_\_\_

### QUANTITIES

\_\_\_\_\_ Amount Required

Downspout Size \_\_\_\_\_ x \_\_\_\_\_