

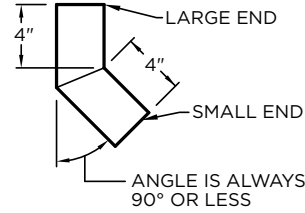
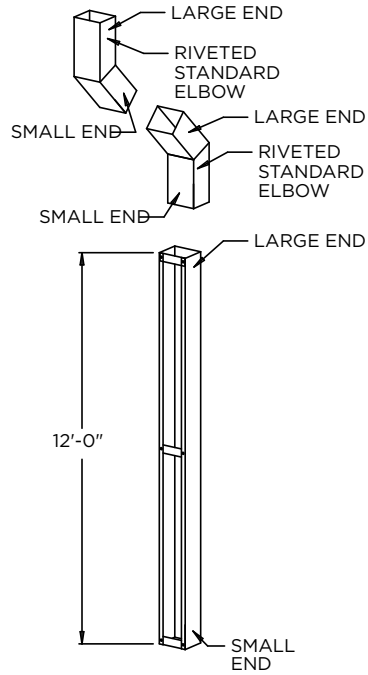
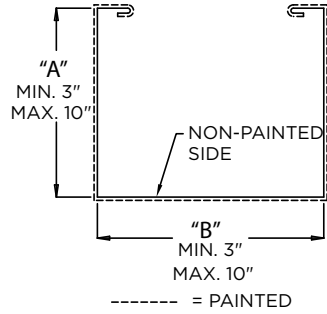


INDUSTRIAL DOWNSPOUT

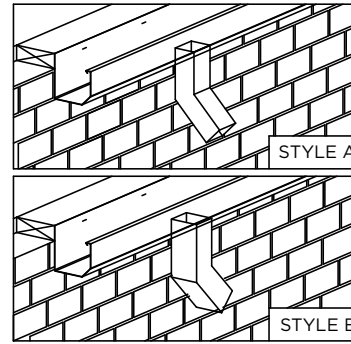
OPEN FACE

NOTES

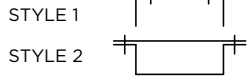
- Downspout should be 9/16" smaller than the bottom of the gutter
- Outlet should be 1/8" smaller than the size of the downspout
- Product should be installed per provided installation instructions



STANDARD ELBOW



DOWNSPOUT STRAPS
(SELECT STYLE BELOW, IF STYLE IS NOT SELECTED STYLE 2 WILL BE PROVIDED)



DIMENSIONS

Downspout Size _____ x _____
"A" "B"

MATERIAL

- 24 Ga. Galv. Steel
 - 22 Ga. Galv. Steel
 - .040" Aluminum
 - .050" Aluminum
 - .063" Aluminum
 - OTHER: _____
- Color: _____
Finish: _____

QUANTITIES

- _____ Lineal Feet (12'-0" Lengths)
- _____ Outlets
- _____ Standard Elbows (____°) Style A Style B
- _____ Standard Elbows (____°) Style A Style B
- Downspout Straps Style 1 Style 2

PROJECT INFO

Project Name: _____

Architect: _____

Roofing Contractor: _____

Project Type:

By selecting this box you have verified and confirmed that dimensions, sizes, and quantities are correct. All products will be installed in strict accordance with printed instructions.

Date: _____

SHT# 1 of 1

DATE: 04/04/23

DRN BY: JJC

CKD BY: MM

DWG #: 13013-4496

REV: G

Elevate
26 Century Blvd.
Suite 205
Nashville, TN 37214
Contact your local
Elevate representative.