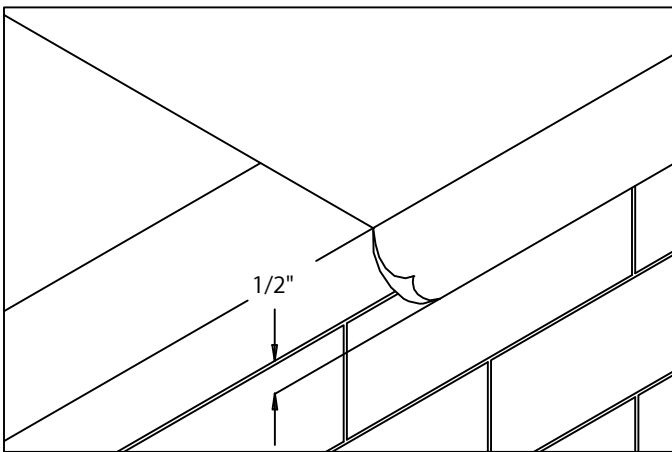




SECUREDGE EX HEAVY GAUGE FASCIA

FULLY ADHERED OR MECHANICALLY ATTACHED SINGLE-PLY VERSION

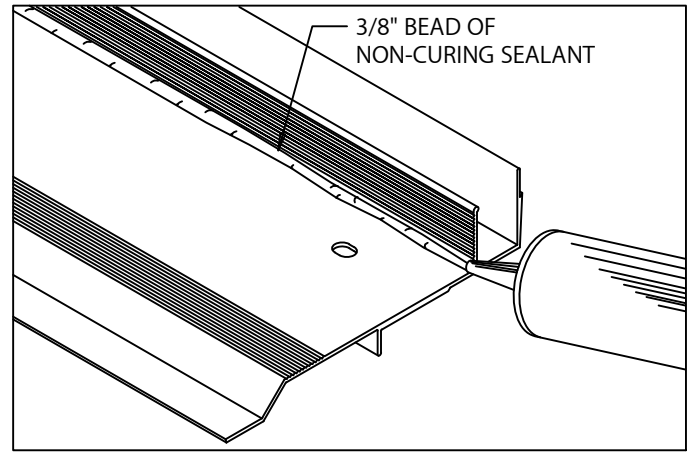
INSTALLATION INSTRUCTIONS



1. Roof Membrane

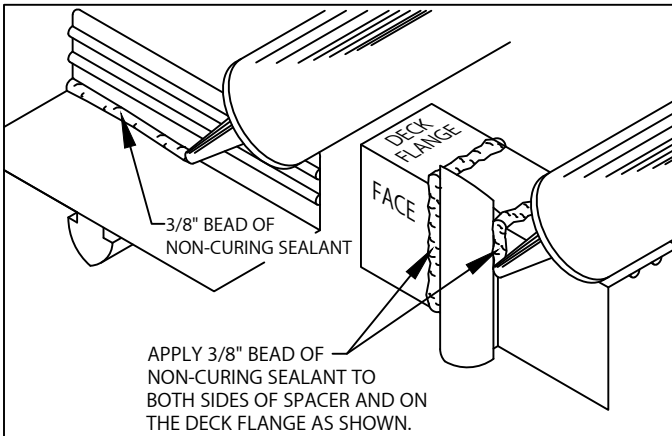
Position membrane over the roof edge and down outside face of wall, covering treated wood nailer(s) completely. Allow 1/2" excess membrane.

IMPORTANT! Outside edge of treated wood nailer(s) (minimum 2 x 4) shall be aligned flush with outermost edge of wall. Fascia is for use as a perimeter securement on roof designs where the product is not installed in a waterline.



2. Miter & Scupper Anchor Bar (Preparation)

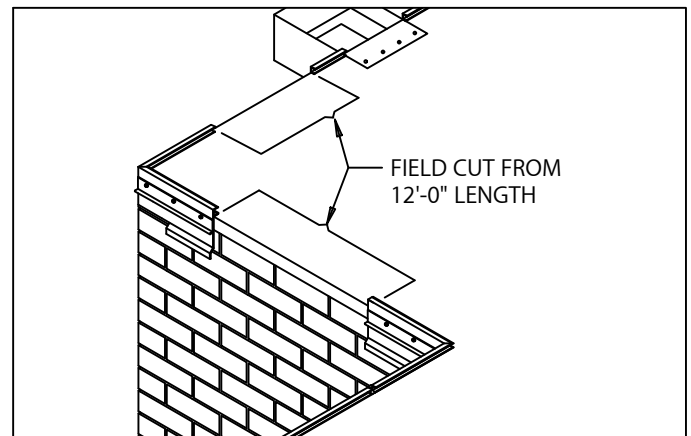
Lay miters and scuppers on deck with outside face down. Be sure aluminum anchor bar is clean and free of dirt or dust. Apply a heavy 3/8" bead of non-curing sealant to the right angle intersection of the deck flange and back of anchor bar as shown. Application of sealant is required along the full length of each miter anchor bar.



3. Anchor Bar Splice Plates

Apply non-curing sealant to each plate as shown and described in STEP 2. Ensure the sealant is placed into the grooves along the spacer.

CAUTION! Installers shall wear protective eye wear to prevent injury. Do not over-drive fasteners, as stripping can occur at high driver torque. Recommended driving tool: 600-800 rpm electric drill equipped with depth-sensing nose-piece to prevent driving and stripout. Do not use impact type tool.



4. Miter Bar Installation

Fold roofing membrane at corners and install miters using fasteners and driver bits provided by manufacturer. Fasten anchor bar corners to nailer with one splice plate under each end of corner. The anchor bar must insert into the grooves of the anchor bar splice plate. Next locate and install scuppers with sealant, fasteners and anchor bar splice plates.



Customer Service
866-458-3537
(Metal-Era)

DATE: 02/14/22
DRN BY: MLM
CKD BY: MM

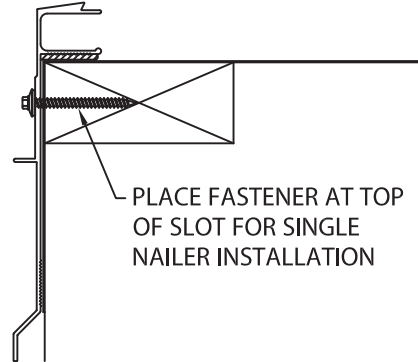
SHT.# 1 OF 2
DWG# 15110-5560

H

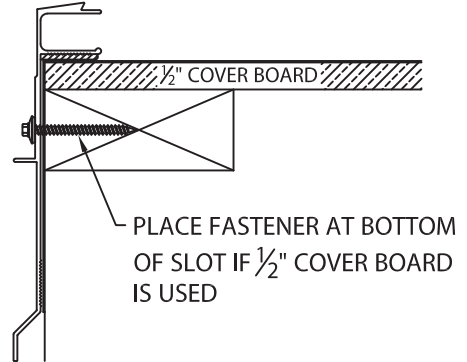
DIAGONAL SLOT ANCHOR BAR INSTALLATION

NOTE: IF THE SLOTS ON THE ANCHOR BAR ARE ALL HORIZONTAL, NOT DIAGONAL, FASTEN IN THE CENTER OF THE SLOT

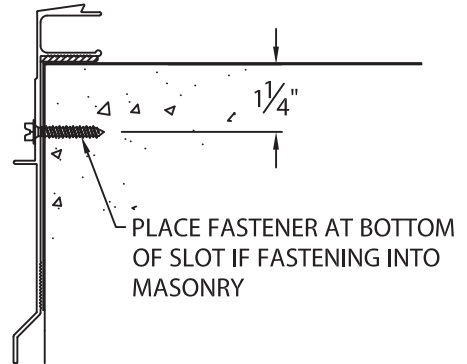
PLACE FASTENER AT TOP OF SLOT FOR SINGLE NAILER INSTALLATION



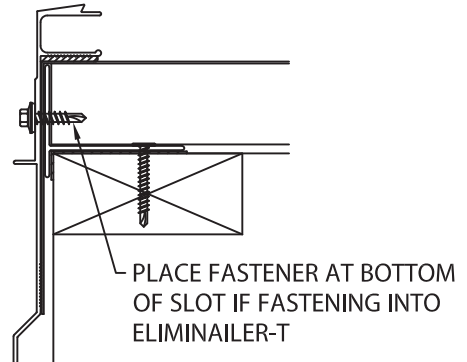
PLACE FASTENER AT BOTTOM OF SLOT IF 1/2" COVER BOARD IS USED



PLACE FASTENER AT BOTTOM OF SLOT IF FASTENING INTO MASONRY



PLACE FASTENER AT BOTTOM OF SLOT IF FASTENING INTO ELIMINAILER-T

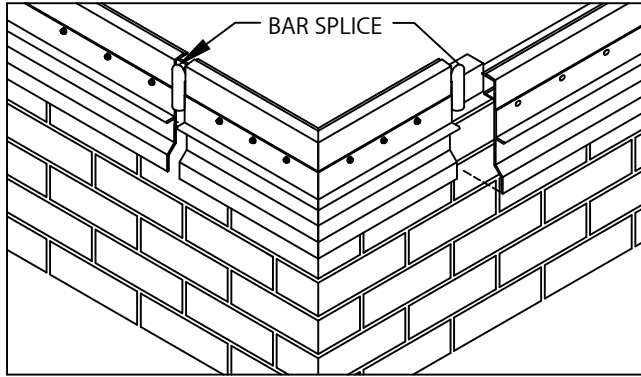




SECUREDGE EX HEAVY GAUGE FASCIA

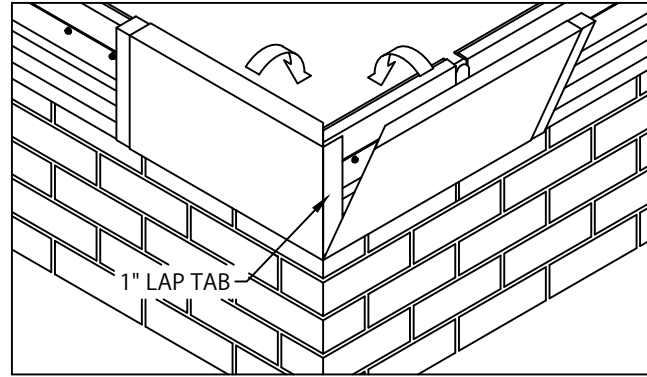
FULLY ADHERED OR MECHANICALLY ATTACHED SINGLE-PLY VERSION

INSTALLATION INSTRUCTIONS



5. Anchor Bar Installation

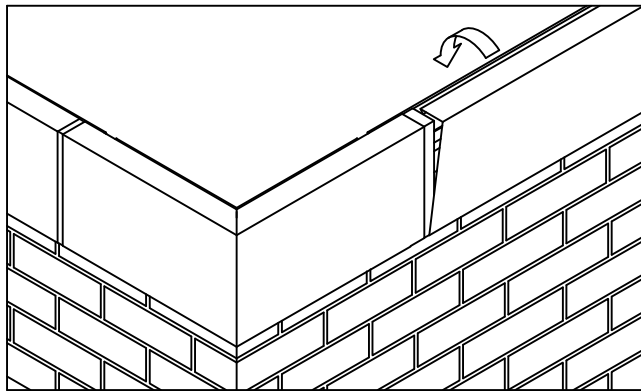
Position 12'-0" sections of anchor bar with applied non-curing sealant as shown in steps 2 & 3 overlapping anchor splice plate. Allow 3/8" space between anchor bars. Install anchor bar splice plate at other end of 12'-0" bar. Fasten anchor bar 12" O.C. through slots using fasteners provided. The anchor bars must insert into the grooves of the anchor bar splice plates. Field cut sections as necessary.



6. Fascia Miter Covers

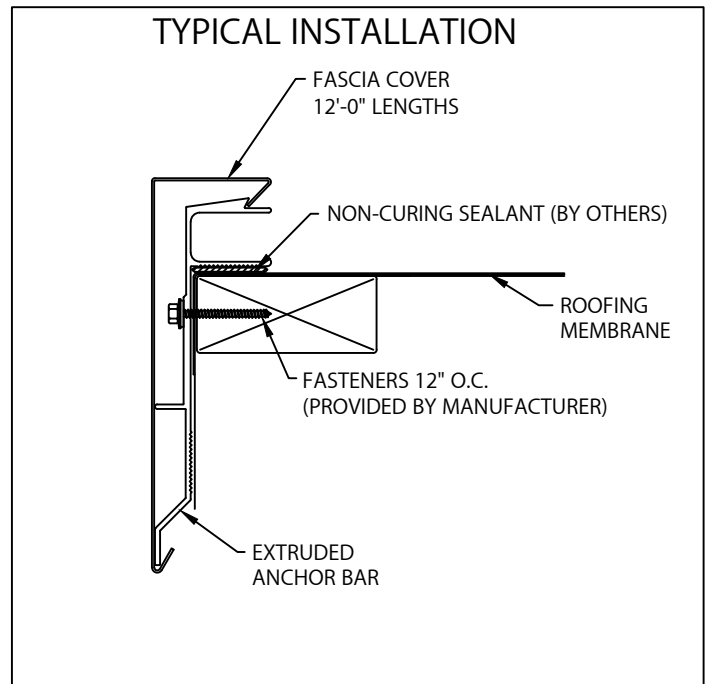
Install miter covers first. Insert one splice plate under each end of the two piece miter cover. Engage cover with 90° tab onto bottom of anchor bar and rotate miter cover up and over anchor bar miter until engaged along entire length of the anchor bar. Repeat steps to install miter cover without the 90° tab.

IMPORTANT! Be sure to remove protective plastic film prior to installing each fascia section.



7. Fascia Covers

Install 12'-0" fascia cover sections. Allow a 3/8" gap between fascia cover sections. Insert one splice plate under far end of each fascia cover section. Install cover by hooking lower edge of cover onto anchor bar and rotating cover up and over anchor bar until engaged along entire length of cover section. Continue to install cover sections in this manner, field cutting where necessary using a fine tooth hacksaw.



Customer Service
866-458-3537
(Metal-Era)

DATE: 02/14/22
DRN BY: MLM
CKD BY: MM

SHT.# 2 OF 2
DWG# 15110-5560

H