

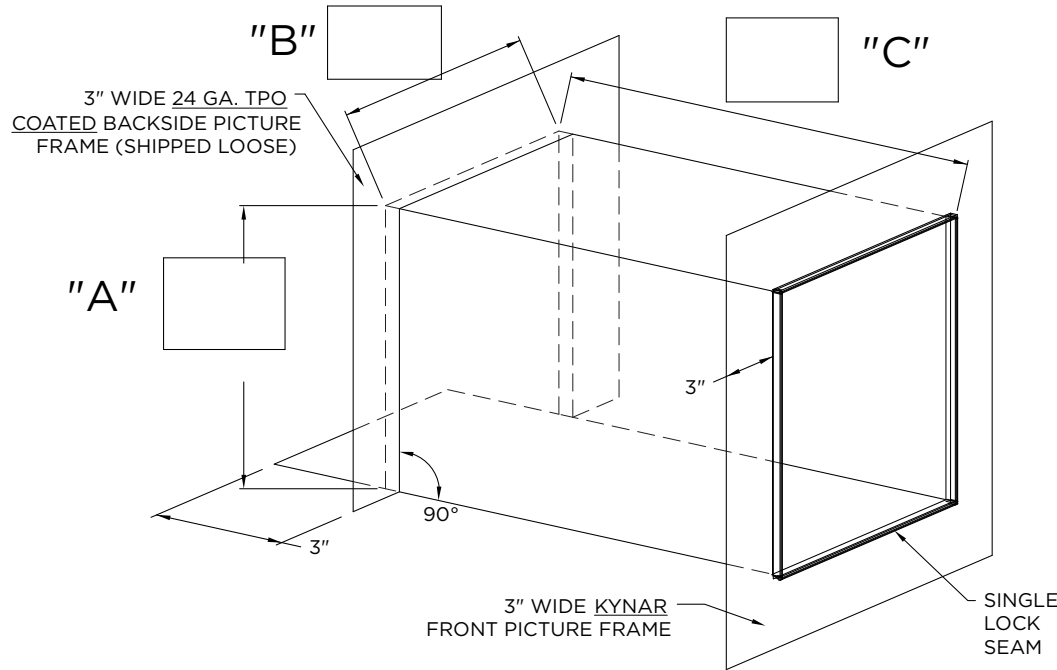


# VERSITRIM THRU-WALL SCUPPER

TPO COATED

## NOTES

- Backside and inside of box is 24 ga. TPO coated material
- Front is Kynar
- Product should be installed per provided installation instructions



## PROJECT INFO

Project Name: \_\_\_\_\_

Architect: \_\_\_\_\_

Roofing Contractor: \_\_\_\_\_

### Project Type:

By selecting this box you have verified and confirmed that dimensions, sizes, and quantities are correct. All products will be installed in strict accordance with printed instructions.

Date: \_\_\_\_\_

Customer Service  
800-558-2162  
(Metal-Era)

SHT #: \_\_\_\_\_ of \_\_\_\_\_

DATE: **11/20/24**

DRN BY: **JJC**

CKD BY: **MM**

DWG #: 18018-43892

REV: **A**

## DIMENSIONS

PLEASE FILL OUT DIMENSIONS ON DRAWING

## MATERIAL (For Front Picture Frame)

- 24 Ga. Galv. Steel  
 .040" Aluminum  
 .050" Aluminum

Color: \_\_\_\_\_

Finish: \_\_\_\_\_

## MEMBRANE

Specify TPO Manufacturer

**TPO COLOR: WHITE**

## QUANTITIES

\_\_\_\_\_ Amount Required