

CREATIVE DESIGN SHADOWLINE COPING

3'-0" O.C.

INSTALLATION INSTRUCTIONS

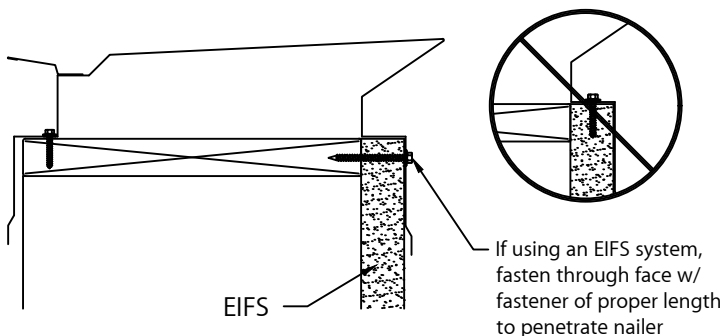
IMPORTANT: Prior to installation, read instructions carefully.

NOTE: Position roof membrane on top of the wall covering the treated wood nailer(s) or substrate completely. Allow 1/2" minimum excess membrane beyond nailer where applicable.
NRCA requirement. Membrane not shown for clarity.

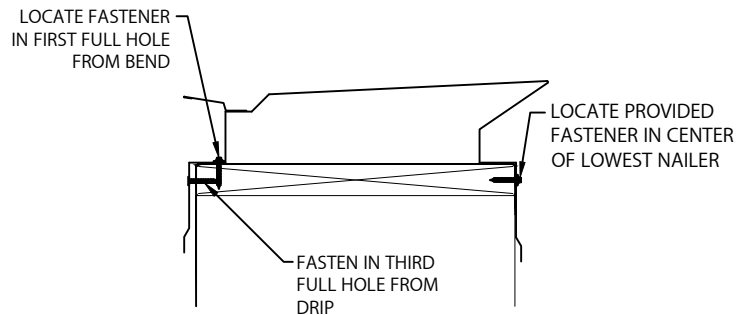
CAUTION: INSTALL MITERS FIRST!

INSTALLATION NOTES:

- 1) Installing contractor shall check as-built conditions, including nailer attachment, and verify the manufacturer's coping details for accuracy to fit the wall assembly prior to fabrication.
- 2) Fasteners must be corrosion resistant and rated for a minimum 250# pullout force for the substrate that is being used.

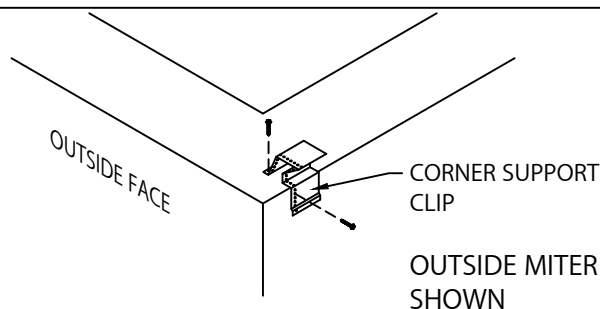
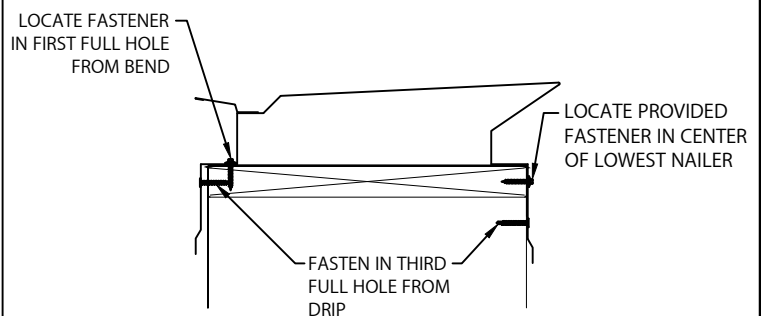


TYPICAL COPING INSTALLATION OUTSIDE FACE HEIGHT LESS THAN 9" DETAIL A



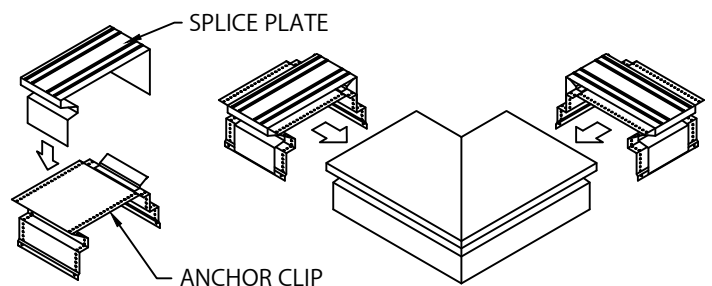
NOTE: THE FOLLOWING INSTALLATION INSTRUCTIONS REFLECT OUTSIDE FACE HEIGHTS OF LESS THAN 9".

TYPICAL COPING INSTALLATION OUTSIDE FACE HEIGHT 9" AND ABOVE DETAIL B



STEP 1 - CORNER SUPPORT CLIPS

LOCATE AND FASTEN ONE 5 1/2" WIDE GALVANIZED CORNER SUPPORT CLIP TO THE WALL AS SHOWN.



STEP 2 - MITER SPLICE PLATES & ANCHOR CLIPS

POSITION THE SPLICE PLATE IN THE CENTER OF THE ANCHOR CLIP. INSTALL THE SPLICE PLATE AND ANCHOR CLIP ASSEMBLY INTO EACH END OF THE CORNER AS SHOWN

HICKMAN
an MTL company

Hickman Edge Systems
4 Commerce Way
Arden, NC 28704
Phone: 828-676-1700
www.hickmanedgesystems.com

DATE: 07/28/22
DRN BY: MLM
CKD BY: MM

SHT.# 1 OF 3

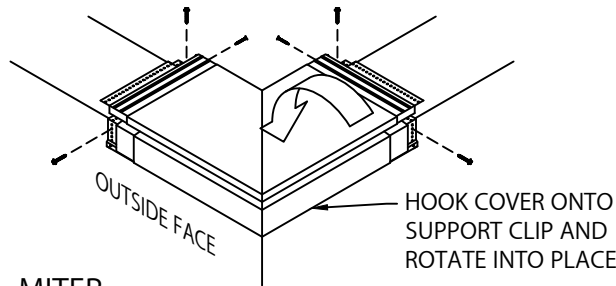
DWG# 64111-37819

B

CREATIVE DESIGN SHADOWLINE COPING

3'-0" O.C.

INSTALLATION INSTRUCTIONS

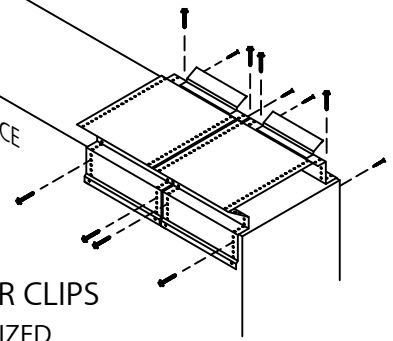


STEP 3 - MITER

HOOK MITER ONTO CORNER CLIP AND ROTATE INTO PLACE. SECURE AT THE EXPOSED EDGE OF THE ANCHOR CLIPS AS PER DETAIL A.

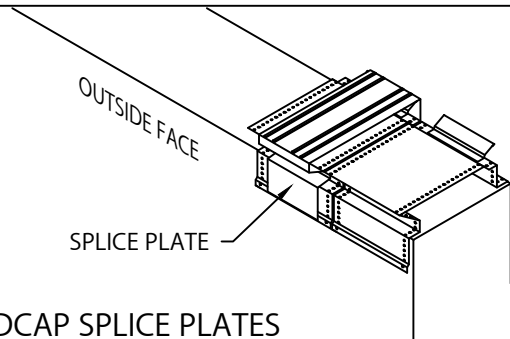
LEFT ENDCAP SHOWN

OUTSIDE FACE



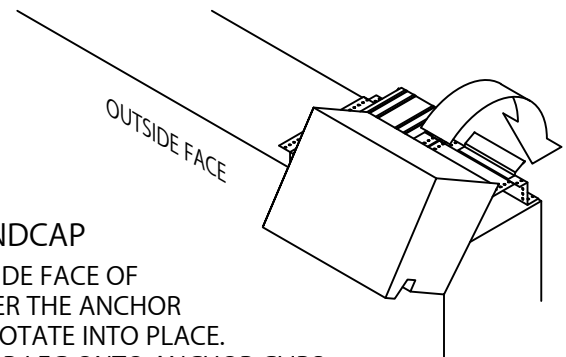
STEP 4 - ENDCAP ANCHOR CLIPS

LOCATE AND FASTEN GALVANIZED ANCHOR CLIPS TO WALL WITH PROVIDED FASTENERS FOR SUBSTRATE (SEE DETAIL A).



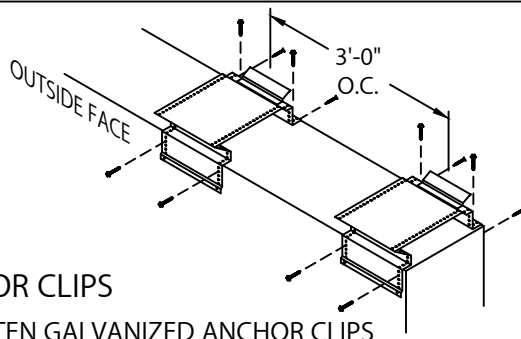
STEP 5 - ENDCAP SPLICE PLATES

REMOVE RELEASE PAPER FROM TOP OF FACTORY APPLIED SEALANT STRIPS. PLACE SPLICE PLATE ONTO SECOND ANCHOR CLIP AS SHOWN.



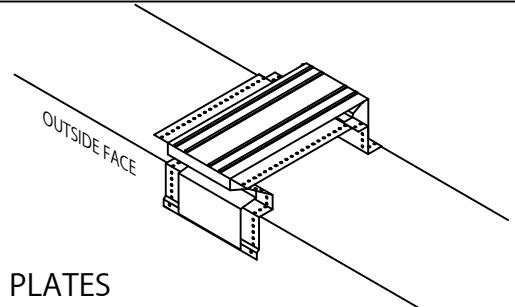
STEP 6 - ENDCAP

HOOK OUTSIDE FACE OF ENDCAP OVER THE ANCHOR CLIPS AND ROTATE INTO PLACE. ENGAGE REAR LEG ONTO ANCHOR CLIPS BY PRESSING DOWNWARD UNTIL SNAP LOCK OCCURS.



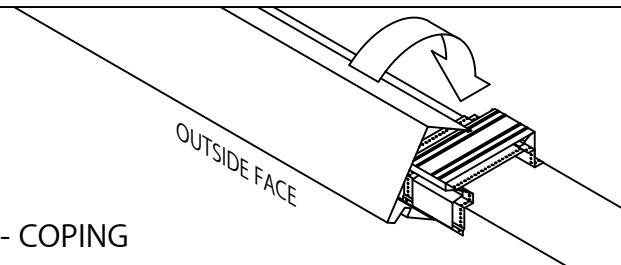
STEP 7 - ANCHOR CLIPS

LOCATE AND FASTEN GALVANIZED ANCHOR CLIPS TO WALL AT 3'-0" CENTERS WITH PROVIDED FASTENERS FOR SUBSTRATE (SEE DETAIL A).



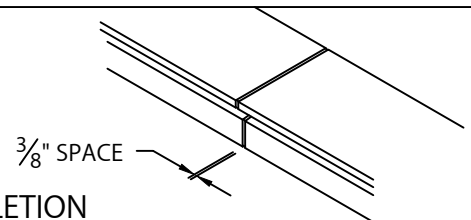
STEP 8 - SPLICE PLATES

PLACE SPLICE PLATE ONTO ANCHOR CLIPS AT SPLICE JOINTS, 12'-0" O.C. NOTE: REMOVE RELEASE PAPER FROM SEALANT STRIPS.



STEP 9 - COPING

HOOK OUTSIDE FACE OF COPING OVER THE ANCHOR CLIPS AND ROTATE INTO PLACE. ENGAGE REAR LEG ONTO ANCHOR CLIPS BY PRESSING DOWNWARD UNTIL SNAP LOCK OCCURS.



STEP 10 - COMPLETION

CONTINUE INSTALLING COPING WITH A 3/8" SPACE AT SPLICE JOINTS TO ALLOW FOR THERMAL EXPANSION. FIELD CUT WHERE NECESSARY USING FINE TOOTH HACKSAW OR SNIPS. NOTE: REMOVE PROTECTIVE FILM IMMEDIATELY.

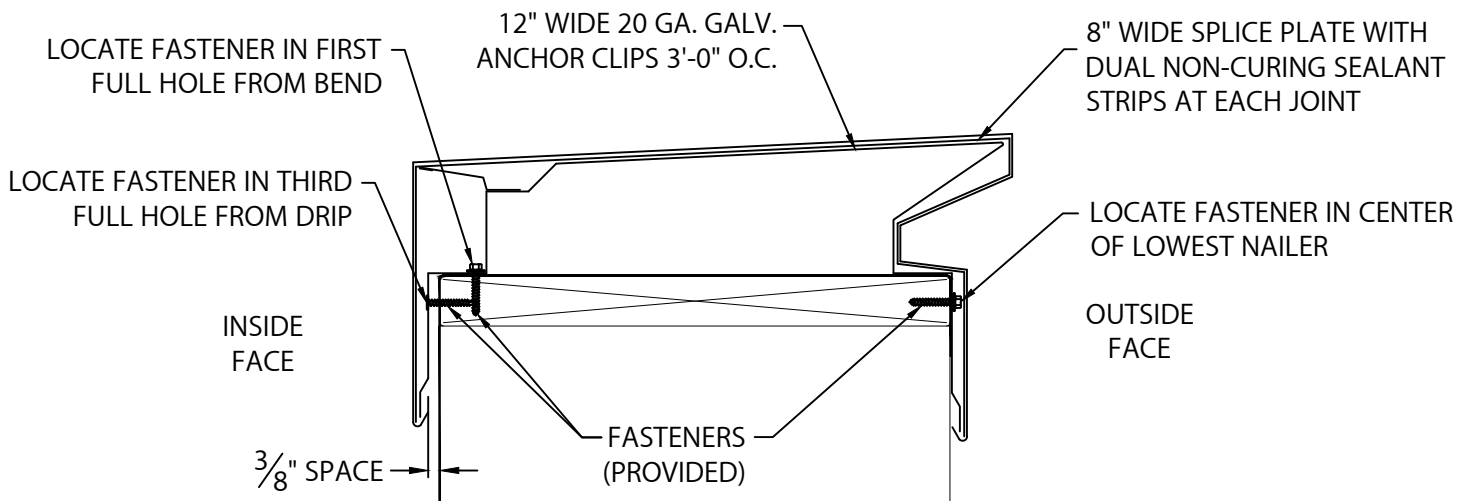
CREATIVE DESIGN SHADOWLINE COPING

3'-0" O.C.

INSTALLATION INSTRUCTIONS

TYPICAL COPING INSTALLATION OUTSIDE FACE HEIGHT LESS THAN 9"

DETAIL A



TYPICAL COPING INSTALLATION OUTSIDE FACE HEIGHT 9" AND ABOVE

DETAIL B

