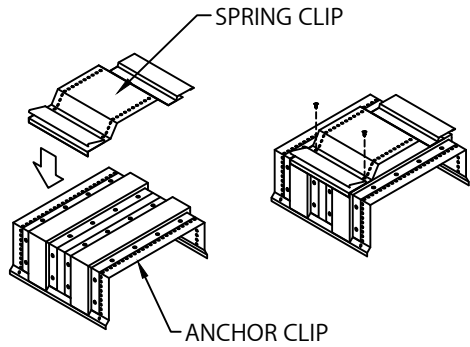


# VERSITRIM CANTILEVER COPING

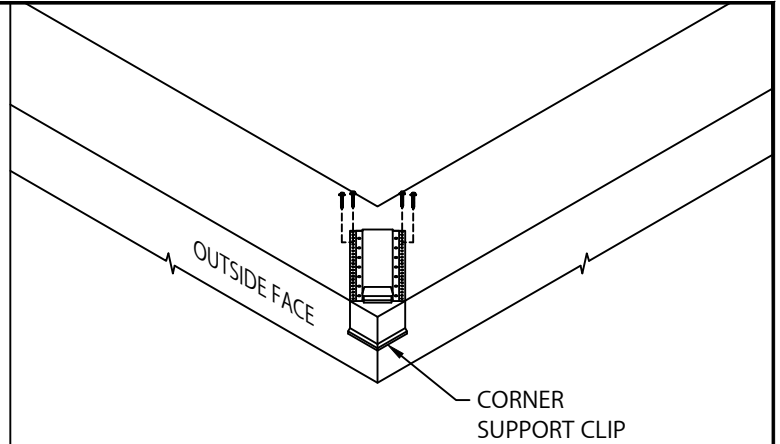
DOUBLE VERSION - 3'-0" O.C.

## INSTALLATION INSTRUCTIONS



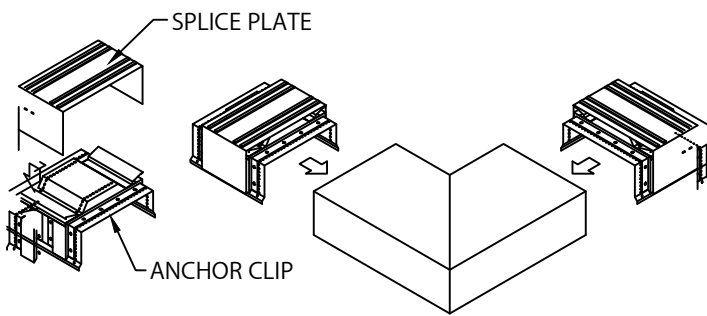
### STEP 1 - SPRING CLIP / ANCHOR CLIP

POSITION THE SPRING CLIPS IN THE CENTER OF THE ANCHOR CLIPS AND SECURE INTO PLACE WITH PROVIDED FASTENERS (SEE DETAIL A).



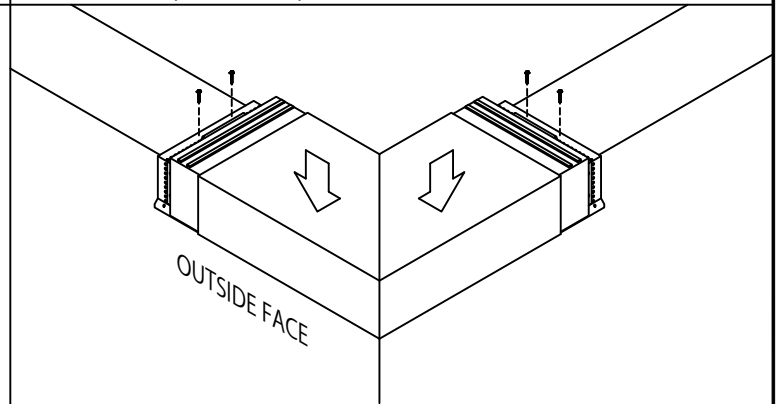
### STEP 2 - CORNER SUPPORT CLIPS

LOCATE AND FASTEN ONE GALVANIZED CORNER SUPPORT CLIP TO THE WALL AS SHOWN USING FOUR FASTENERS (PROVIDED).



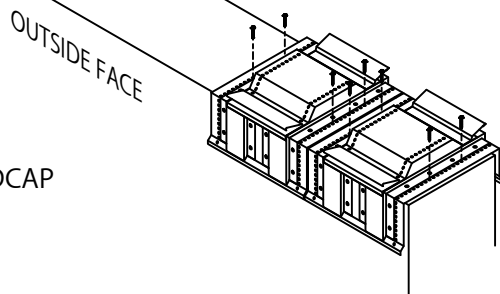
### STEP 3 - MITER SPLICE PLATES & ANCHOR CLIPS

POSITION THE SPLICE PLATE IN THE CENTER OF THE ANCHOR CLIP. INSTALL THE SPLICE PLATE AND ANCHOR CLIP ASSEMBLY HALFWAY INTO EACH END OF THE CORNER AS SHOWN



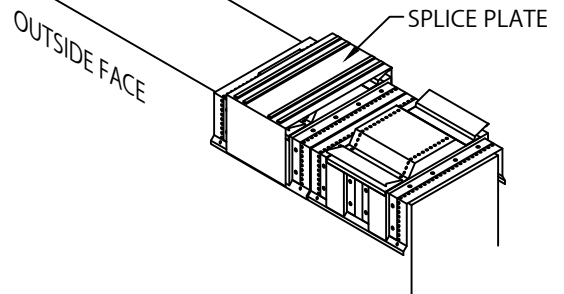
### STEP 4 - MITER

PLACE THE CORNER ASSEMBLY INTO POSITION AND SECURE AT THE EXPOSED EDGE OF THE ANCHOR CLIPS AS PER DETAIL A.



### STEP 5 - ENDCAP ANCHOR CLIPS

LOCATE AND FASTEN GALVANIZED ANCHOR CLIPS TO WALL WITH PROVIDED FASTENERS FOR SUBSTRATE (SEE DETAIL A).



### STEP 6 - ENDCAP SPLICE PLATES

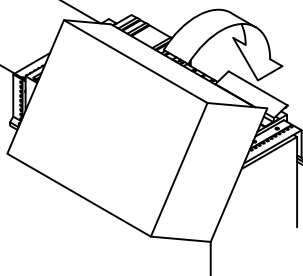
REMOVE RELEASE PAPER FROM TOP OF FACTORY APPLIED SEALANT STRIPS. PLACE SPLICE PLATE ONTO SECOND ANCHOR CLIP AS SHOWN.

# VERSITRIM CANTILEVER COPING

DOUBLE VERSION - 3'-0" O.C.

## INSTALLATION INSTRUCTIONS

OUTSIDE FACE

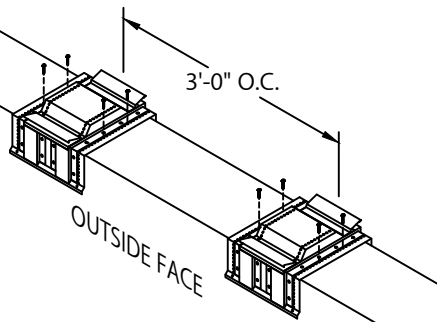


### STEP 7 - ENDCAP

HOOK OUTSIDE FACE OF ENDCAP OVER THE ANCHOR CLIPS AND ROTATE INTO PLACE. ENGAGE REAR LEG ONTO ANCHOR CLIPS BY PRESSING DOWNWARD UNTIL SNAP LOCK OCCURS.

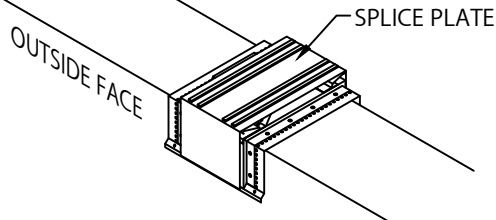
3'-0" O.C.

OUTSIDE FACE



### STEP 8 - ANCHOR CLIPS

LOCATE AND FASTEN GALVANIZED ANCHOR CLIPS TO WALL AT 3'-0" CENTERS WITH PROVIDED FASTENERS FOR SUBSTRATE (SEE DETAIL A).



SPLICE PLATE

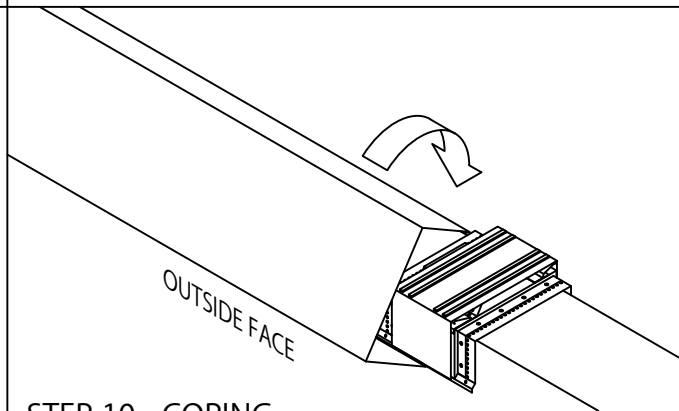
OUTSIDE FACE

### STEP 9 - SPLICE PLATES

PLACE SPLICE PLATE ONTO ANCHOR CLIPS AT SPLICE JOINTS, 12'-0" O.C.

NOTE: REMOVE RELEASE PAPER FROM SEALANT STRIPS.

OUTSIDE FACE

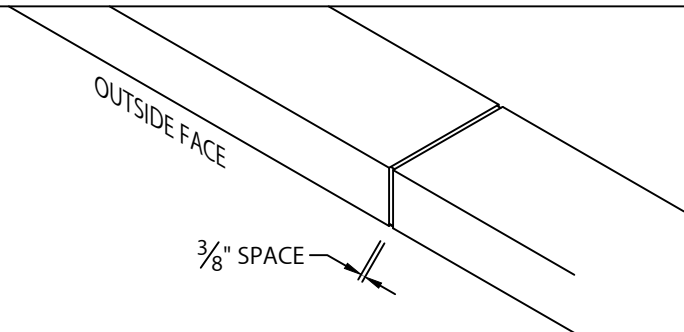


### STEP 10 - COPING

HOOK OUTSIDE FACE OF COPING OVER THE ANCHOR CLIPS AND ROTATE INTO PLACE. ENGAGE REAR LEG ONTO ANCHOR CLIPS BY PRESSING DOWNWARD UNTIL SNAP LOCK OCCURS.

OUTSIDE FACE

3/8" SPACE



### STEP 11 - COMPLETION

CONTINUE INSTALLING COPING WITH A 3/8" SPACE AT SPLICE JOINTS TO ALLOW FOR THERMAL EXPANSION. FIELD CUT WHERE NECESSARY USING FINE TOOTH HACKSAW OR SNIPS.

NOTE: REMOVE PROTECTIVE FILM IMMEDIATELY.



Customer Service  
800-558-2162

DATE: 11/15/24  
DRN BY: MLM  
CKD BY: MM

SHT.# 2 OF 3

DWG# 18111-23886

C

# VERSITRIM CANTILEVER COPING

DOUBLE VERSION - 3'-0" O.C.

INSTALLATION INSTRUCTIONS

## TYPICAL COPING INSTALLATION

### DETAIL A

