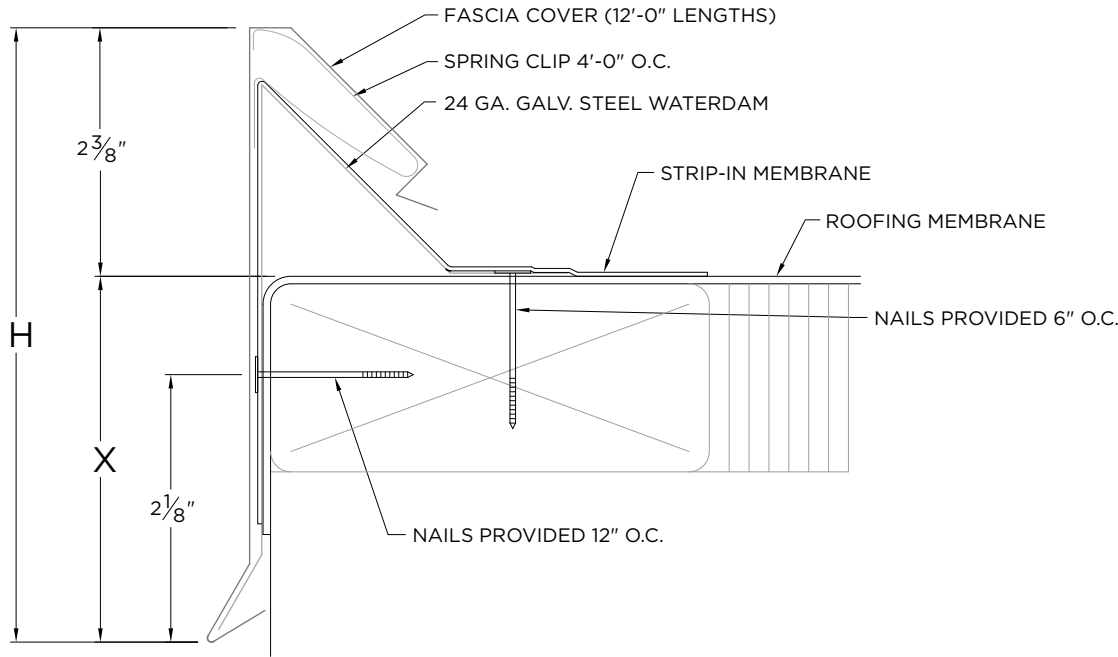




VERSITRIM SNAP-ON CANTED FASCIA

SNAP-ON, SINGLE-PLY VERSION



NOTES

- Fascia includes splice plate at joints
- Standard fascia will not function with TPO or PVC strip-in membrane thicker than .060"
- Oil canning can occur on larger face heights; recommend .050" or .063" for face heights above 8.25"
- Welded accessories require minimum material thickness of .050"
- Unless otherwise noted, fabrication of miters and accessories are furnished standard
- For non-90 miters, see separate print approval
- Product should be installed per provided installation instructions
- ANSI/SPRI/FM 4435/ES-1 Test Pressure up to 216 psf

APPROVALS



ANSI/SPRI/FM 4435/ES-1
Test Pressures listed in notes

PROJECT INFO

Project Name: _____

Architect: _____

Roofing Contractor: _____

Project Type:

By selecting this box you have verified and confirmed that dimensions, sizes, and quantities are correct. All products will be installed in strict accordance with printed instructions.

Date: _____

Customer Service
800-558-2162
(Metal-Era)

SHT #: _____ of _____

DATE: **09/18/24**

DRN BY: **JJC**

CKD BY: **MM**

DWG #: **18010-21545**

REV: **F**

DIMENSIONS

PRODUCT ID. NO.	H DIM	X DIM	NAILER COVERAGE
<input type="checkbox"/> FA-50	5 1/4"	2 7/8"	1 NAILER
<input type="checkbox"/> FA-65	6 3/4"	4 3/8"	2 NAILERS
<input type="checkbox"/> FA-80	8 1/4"	5 7/8"	3 NAILERS
<input type="checkbox"/> FA-95	9 3/4"	7 3/8"	4 NAILERS
<input type="checkbox"/> FA-110	11 1/4"	8 7/8"	5 NAILERS
<input type="checkbox"/> FA-125	12 3/4"	10 3/8"	6 NAILERS

MATERIAL

- 24 Ga. Galv. Steel
- 22 Ga. Galv. Steel
- .040" Aluminum
- .050" Aluminum
- .063" Aluminum
- OTHER: _____

Color: _____

Finish: _____

Substrate: Wood

If substrate is not given, wood fasteners will be provided. Masonry

Metal

QUANTITIES

_____ Lineal Feet (12'-0" Lengths)

_____ Outside Miter (90°)

_____ Inside Miter (90°)

_____ Right Endcaps

_____ Left Endcaps

_____ Right Endwall Flashing

_____ Left Endwall Flashing

Accessory Type:

Quicklock (Default)

Welded (Surcharge)

_____ Overflow Scupper
Style A Style B

_____ Spillout Scupper
Style A Style B

_____ Downspout Scupper
Style A Style B

Downspout Size _____ x _____

Max. Downspout Size is 5" x 6"

Custom print needed for larger sizes.
Style A=Tapered 1.5" Drop | Style B=Flat