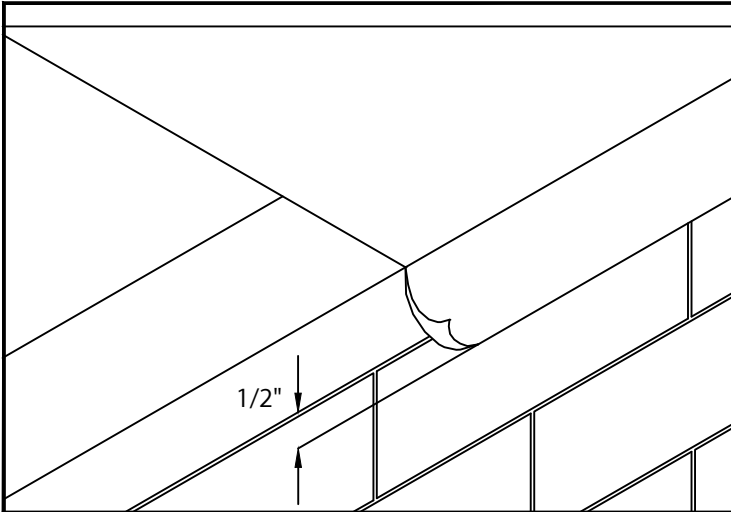


# ELEVATE ANCHORGARD® SP RADIUS FASCIA

FULLY ADHERED OR MECHANICALLY ATTACHED SINGLE-PLY VERSION

## INSTALLATION INSTRUCTIONS

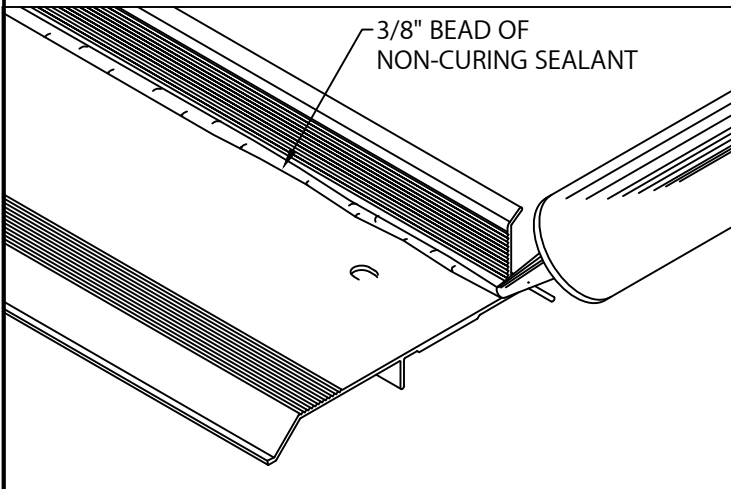


### Installation Instructions

#### 1. Roof Membrane

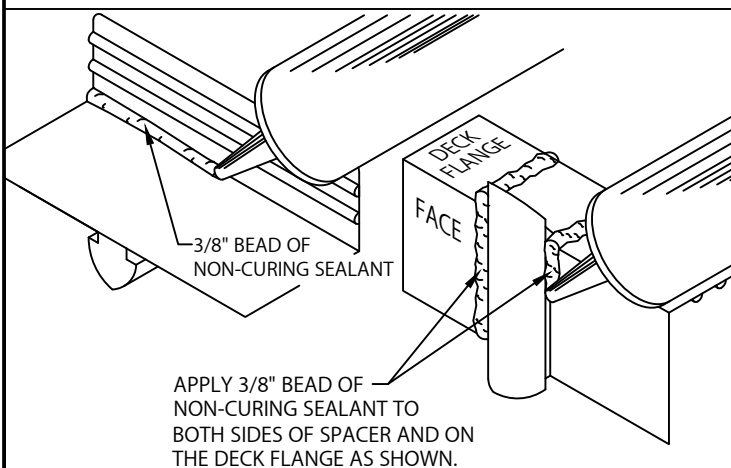
Position membrane over the roof edge and down outside face of wall, covering treated wood nailer(s) completely. Allow 1/2" excess membrane if necessary.

**IMPORTANT!** Outside edge of treated wood nailer(s) (minimum 2 x 4) shall be aligned flush with or extend slightly past outermost edge of wall. Fascia is for use as a perimeter securement on roof designs where the product is not installed in a waterline.



#### 2. Anchor Bar (Preparation)

Lay anchor bar on deck with outside face down. Be sure aluminum anchor bar is clean and free of dirt or dust. Apply a heavy 3/8" bead of non-curing sealant to the right angle intersection of the deck flange and back of anchor bar as shown. Application of sealant is required along the full length of each anchor bar.



#### 3. Anchor Bar Splice Plates

Apply non-curing sealant to each splice plate as shown and described in STEP 2. Ensure the sealant is placed into the grooves along the spacer.



ELEVATE  
26 CENTURY BLVD.  
SUITE 205  
NASHVILLE, TN 37214

CONTACT YOUR LOCAL ELEVATE REPRESENTATIVE

DATE: 03/21/23

DRN BY: MLM

CKD BY: MM

SHT.# 1 OF 2

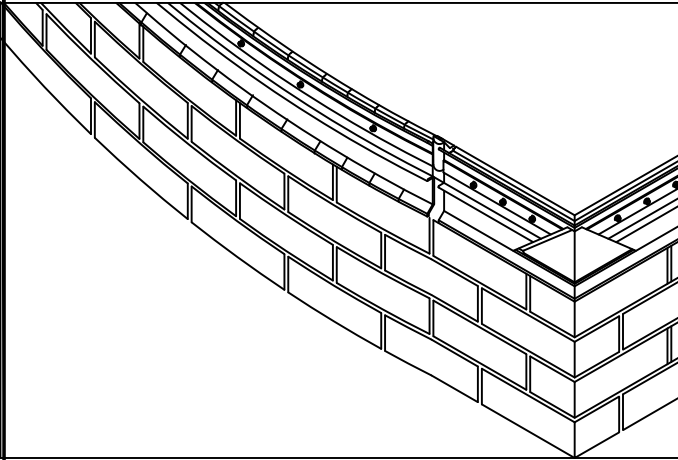
DWG# 13110-21120

D

# ELEVATE ANCHORGARD® SP RADIUS FASCIA

FULLY ADHERED OR MECHANICALLY ATTACHED SINGLE-PLY VERSION

## INSTALLATION INSTRUCTIONS



**IMPORTANT!** Anchor bar and fascia cover sections for radius walls are notched. Use care when removing from the box and when handling to avoid bending and kinking.

### 4. Radius Anchor Bar (Installation)

Starting at the corners first, fold roofing membrane at corner and prepare anchor bar corner and splice plates with non-curing sealant as shown in STEPS 2 and 3. Using only # 10 x 2" hex head stainless steel fasteners and driver bit furnished by Metal-Era, fasten anchor bar corners to nailer with one splice plate under each end of corner. The anchor bars must be inserted into the grooves of the anchor bar splice plate. Next locate and install Anchor-Tite scuppers with non-curing sealant, # 10 x 2" (fasteners, and anchor bar splice plates. Position 12'-0" sections of anchor bar with applied non-curing sealant next to corner or scupper overlapping splice plate and butting snugly into gasket. Allow 3/8" space between anchor bars. Install splice plate at other end of 12'-0" bar. Fasten anchor bar 12" o.c. through slots using # 10 x 2" stainless steel fasteners provided.

### 5. Fascia Corner Covers

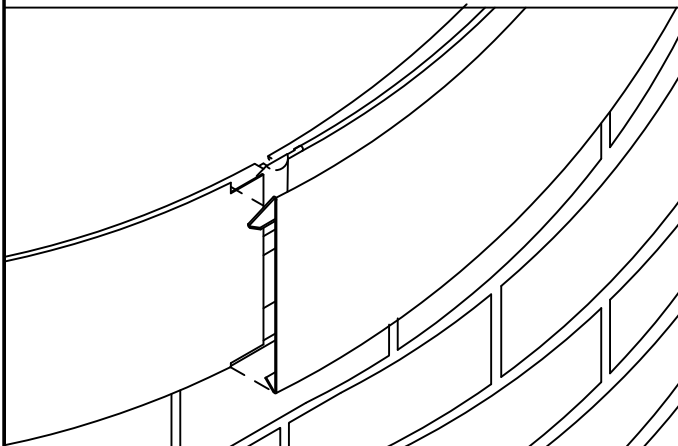
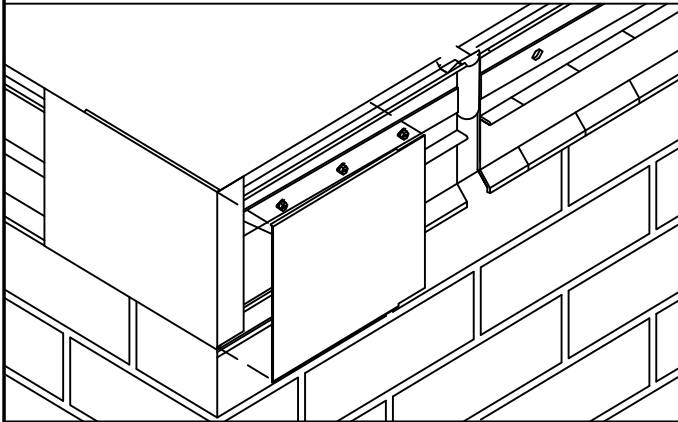
Install 2-piece "snap-on" fascia corner covers first by snapping on fascia corner cover with 90° (degree) tab, followed by corner cover without the tab. Simply position the cover atop bar and with palm of hand apply slight pressure downward until engaged to anchor bar.

**IMPORTANT!** Be sure to remove protective plastic film prior to installing each fascia section.

### 6. Radius Fascia Panels

Position 12'-0" fascia panels on top of anchor bar and overlap preceding panel approximately 1" at notches provided. Fascia covers shall be installed from right to left as seen from rooftop. With fascia panels in correct position atop anchor bar, simply snap each section onto anchor bar by applying downward pressure with palm of hand until the fascia cover is fully engaged along the entire length. Continue to install fascia covers, field cutting where necessary using fine tooth hacksaw.

**CAUTION!** Installers shall wear protective eyewear to prevent injury. Do not over-drive fasteners, as stripping can occur at high driver torque. Recommended Driving Tool: 600 - 800 rpm electric screwdrivers equipped with depth-sensing nosepiece to prevent over-driving and stripout. Do not use impact type tool.



ELEVATE  
26 CENTURY BLVD.  
SUITE 205  
NASHVILLE, TN 37214  
CONTACT YOUR LOCAL ELEVATE REPRESENTATIVE

DATE: 03/21/23

DRN BY: MLM

CKD BY: MM

SHT.# 2 OF 2

DWG# 13110-21120

D